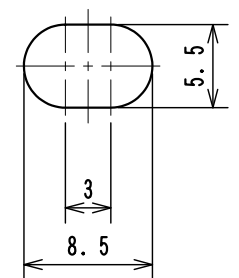
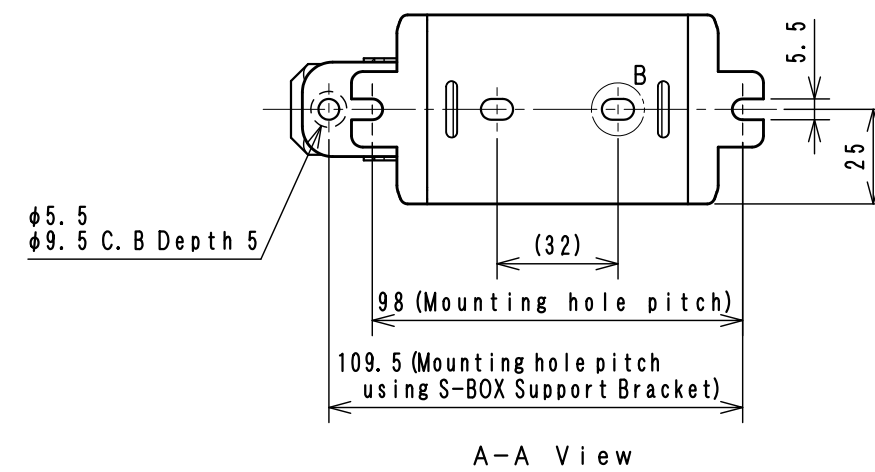
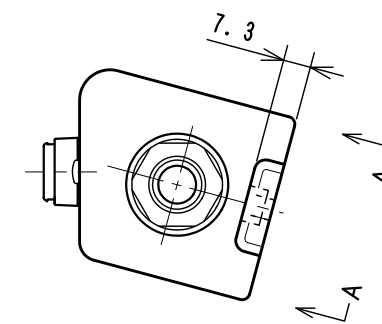
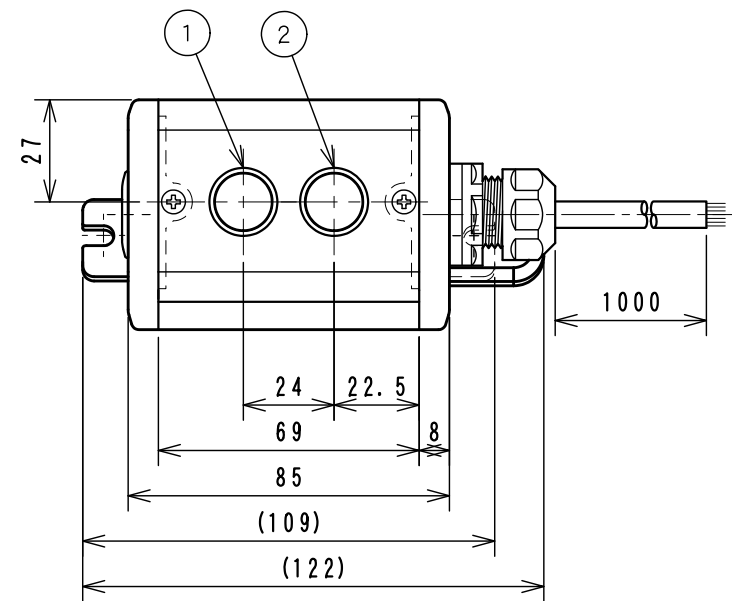
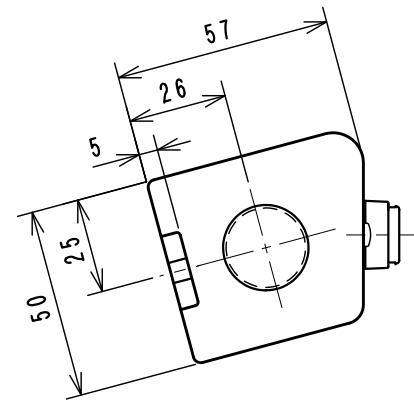


Item No.	Assembly Name
NJC-225	S-5057D Switch 2R (GR) 1m/1P+SB

※Attached: S-BOX Support Bracket <D4R-001B>

1	C1S-762G	Pushbutton Switch(Lighted) AR16E0L-C1E3G
2	C1S-762R	Pushbutton Switch(Lighted) AR16E0L-C1E3R

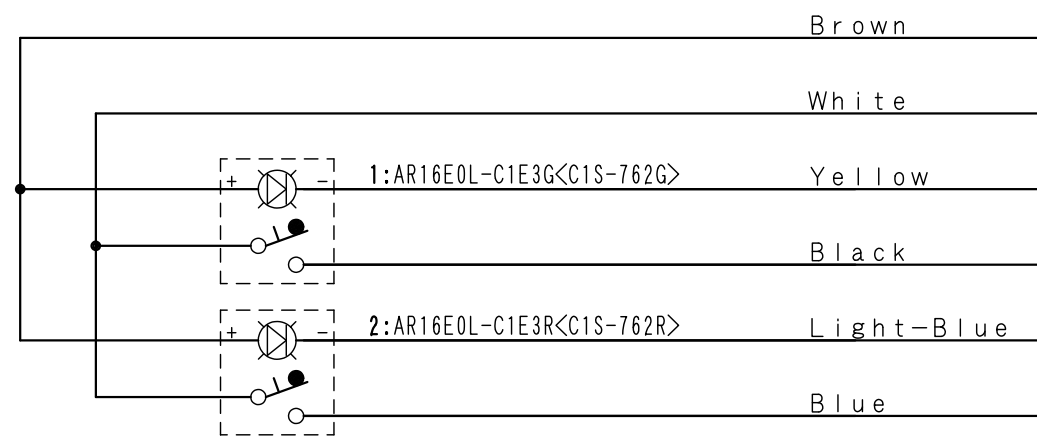


Detail B
Scale 2:1
2 Places

<Associated drawings>
WCW000512-01

Applicable Item No.	NJC-215
	NJC-225

No.	Switch Model No.	Item No.
1	AR16E0L-C1E3G	C1S-762G
2	AR16E0L-C1E3R	C1S-762R



Cable processing detail

