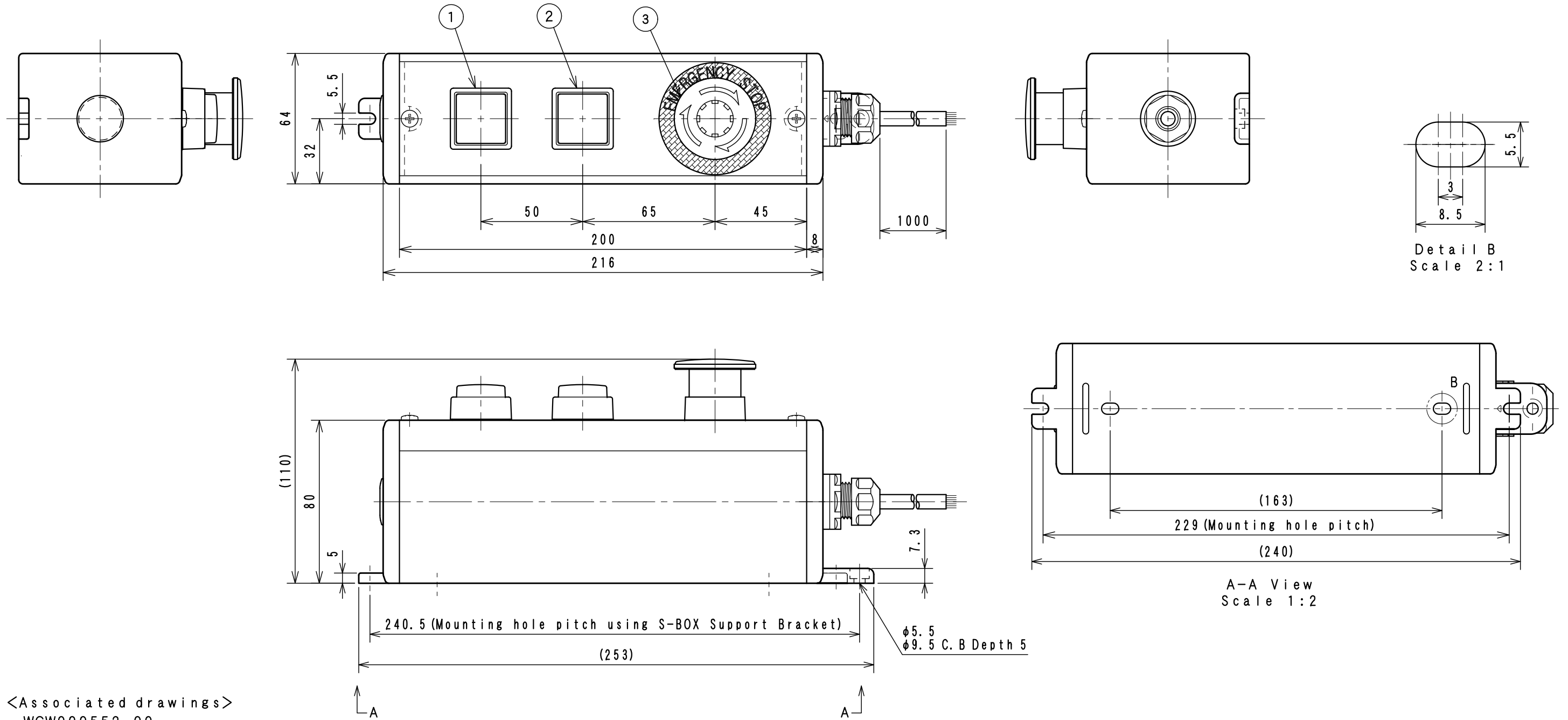


Item No.	Assembly Name
NJC-309	S-6480D Switch 3 (GR) 1m/1P+SB

※Attached: S-BOX Support Bracket <D4R-001B>

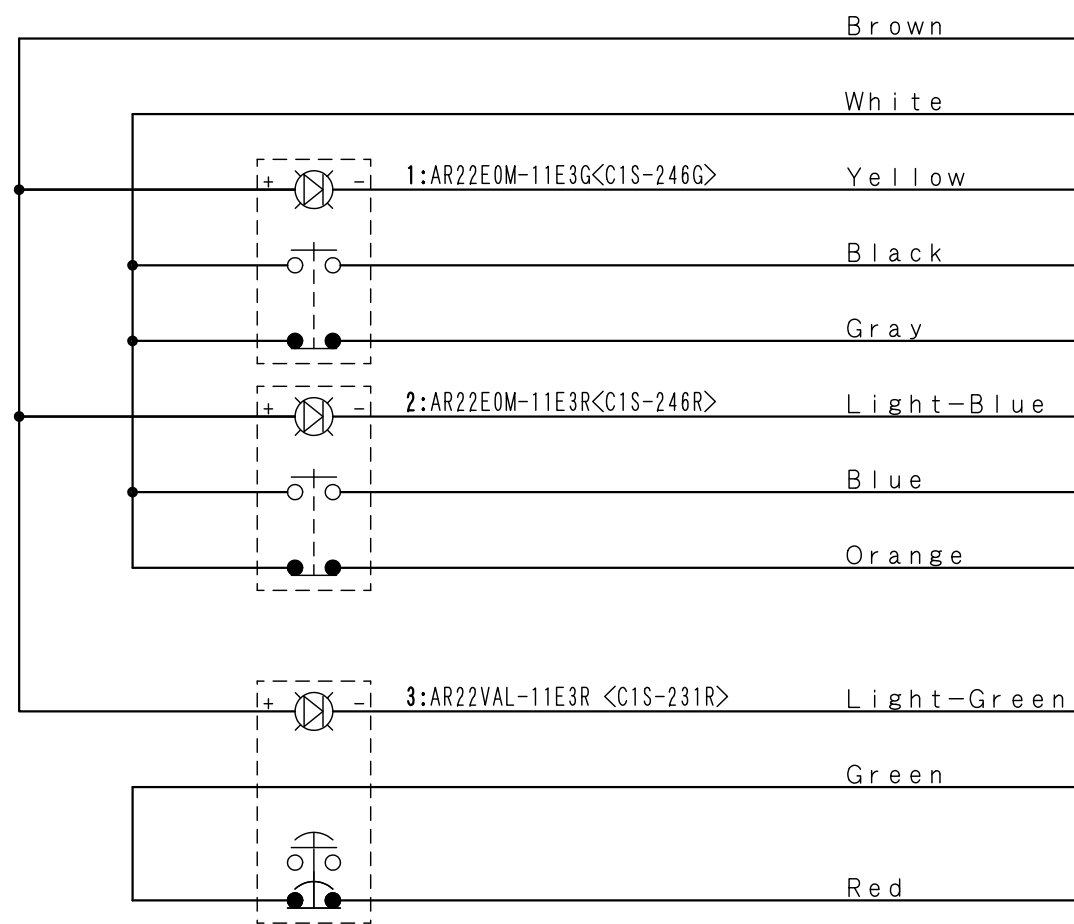
1	C1S-246G	Pushbutton Switch (Lighted) AR22E0M-11E3G
2	C1S-246R	Pushbutton Switch (Lighted) AR22E0M-11E3R
3	C1S-231R	Emergency Stop Switch (Lighted) AR22VAL-11E3R



<Associated drawings>  
WCW000552-00

Applicable Item No.	NJC-309
	NJC-319
	NJC-329

No.	Switch Model No.	Item No.
1	AR22E0M-11E3G	C1S-246G
2	AR22E0M-11E3R	C1S-246R
3	AR22VAL-11E3R	C1S-231R



Cable processing detail

