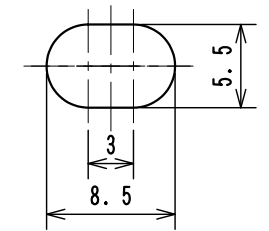
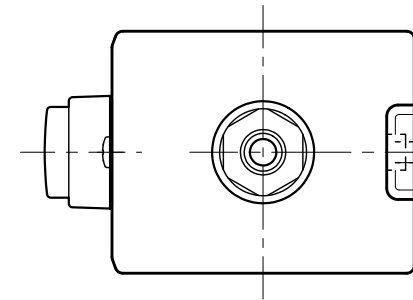
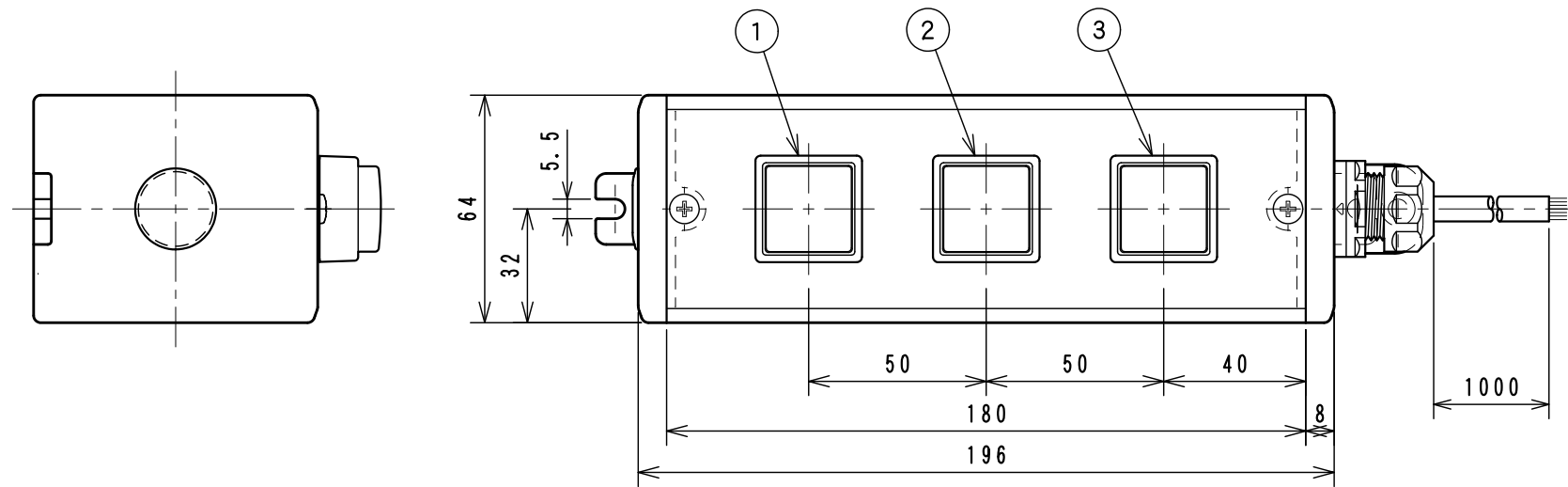


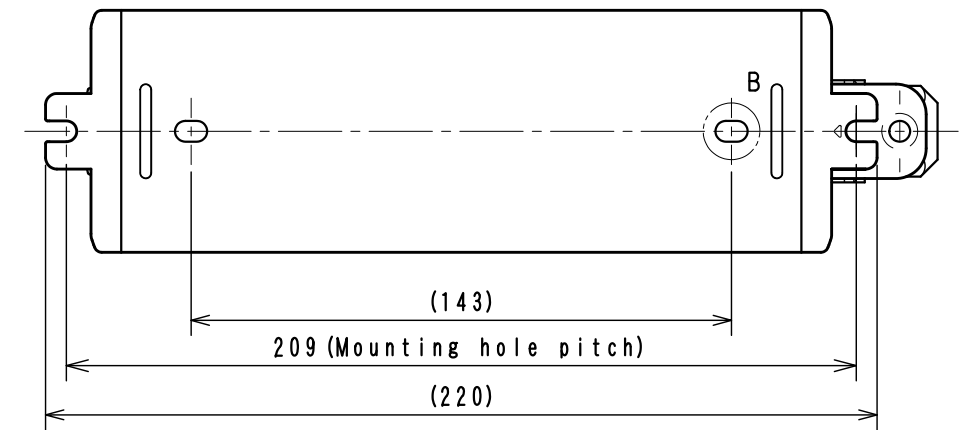
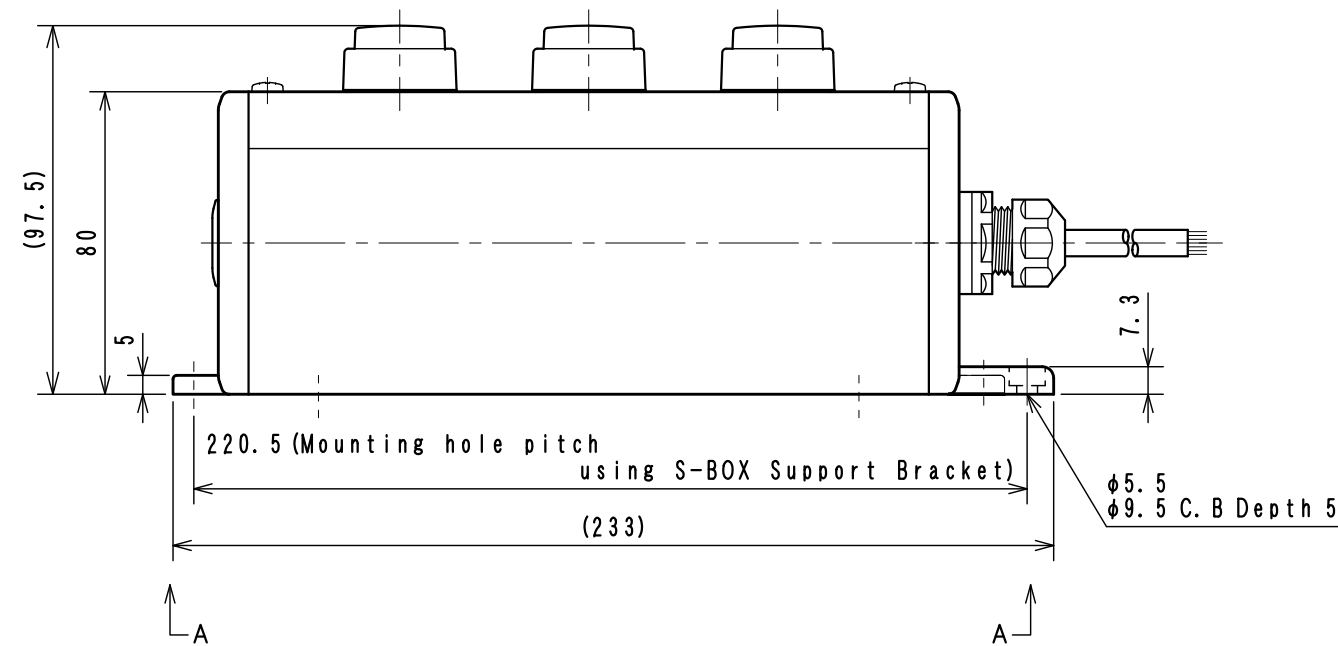
Item No.	Assembly Name
NJC-30D	S-6480D Switch 3S (GRY) 1m/1P+SB

※Attached: S-BOX Support Bracket <D4R-001B>

1	C1S-246G	Pushbutton Switch (Lighted)	AR22E0M-11E3G
2	C1S-246R	Pushbutton Switch (Lighted)	AR22E0M-11E3R
3	C1S-246Y	Pushbutton Switch (Lighted)	AR22E0M-11E3Y



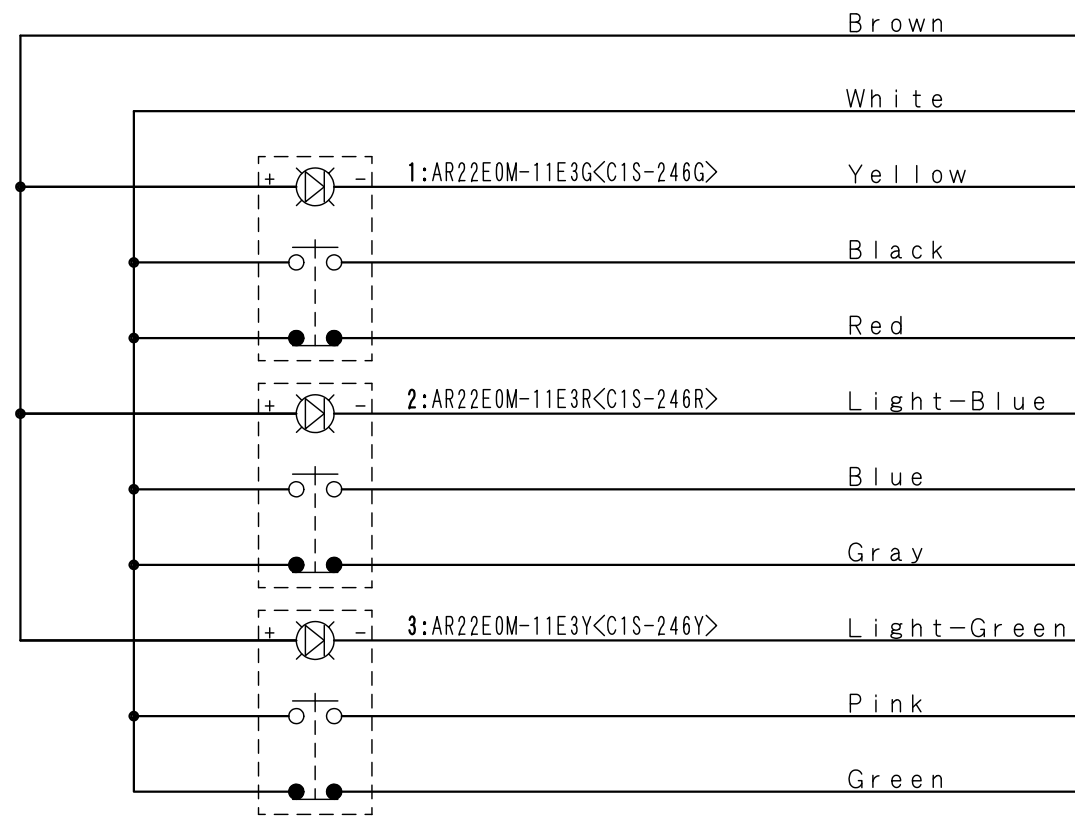
Detail B
Scale 2:1



A-A View
Scale 1:2

Applicable Item No.	NJC-30D
	NJC-31D
	NJC-32D

No.	Switch Model No.	Item No.
1	AR22E0M-11E3G	C1S-246G
2	AR22E0M-11E3R	C1S-246R
3	AR22E0M-11E3Y	C1S-246Y



Cable processing detail

