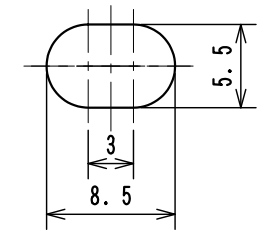
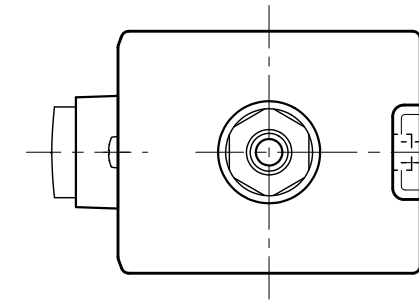
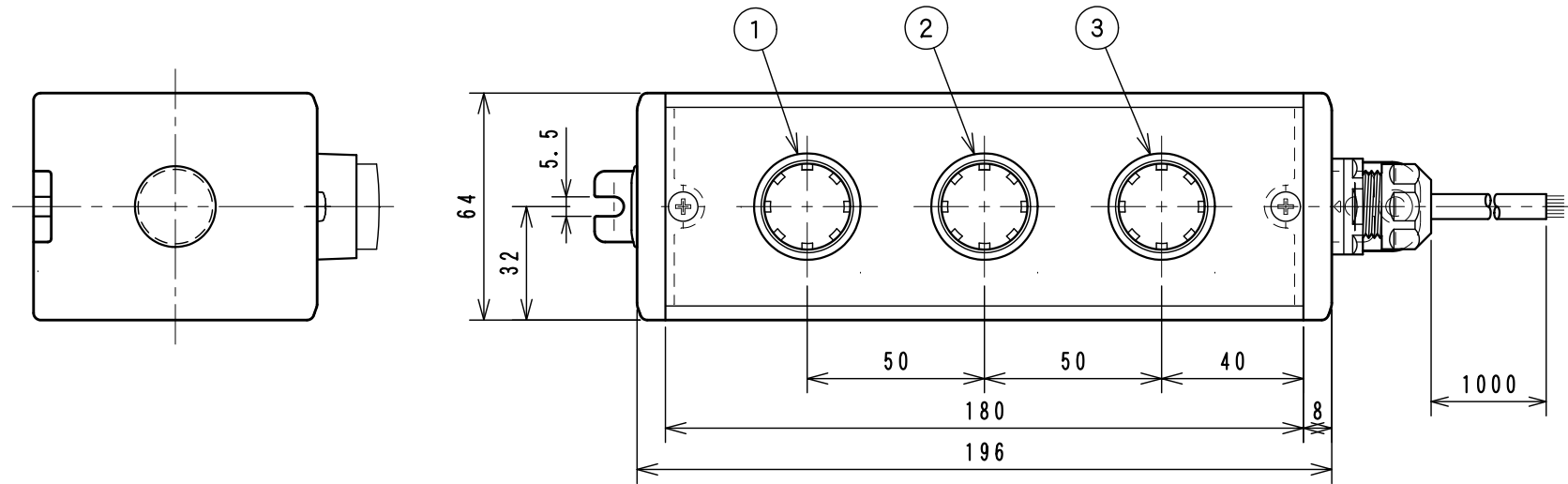


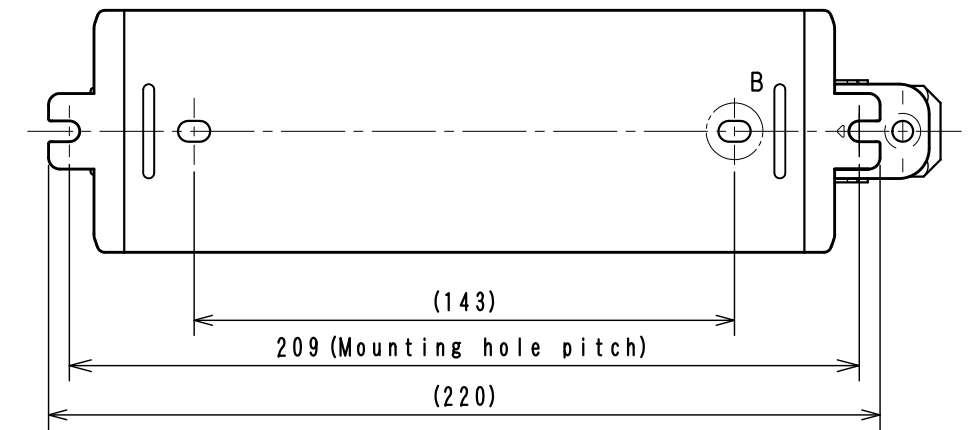
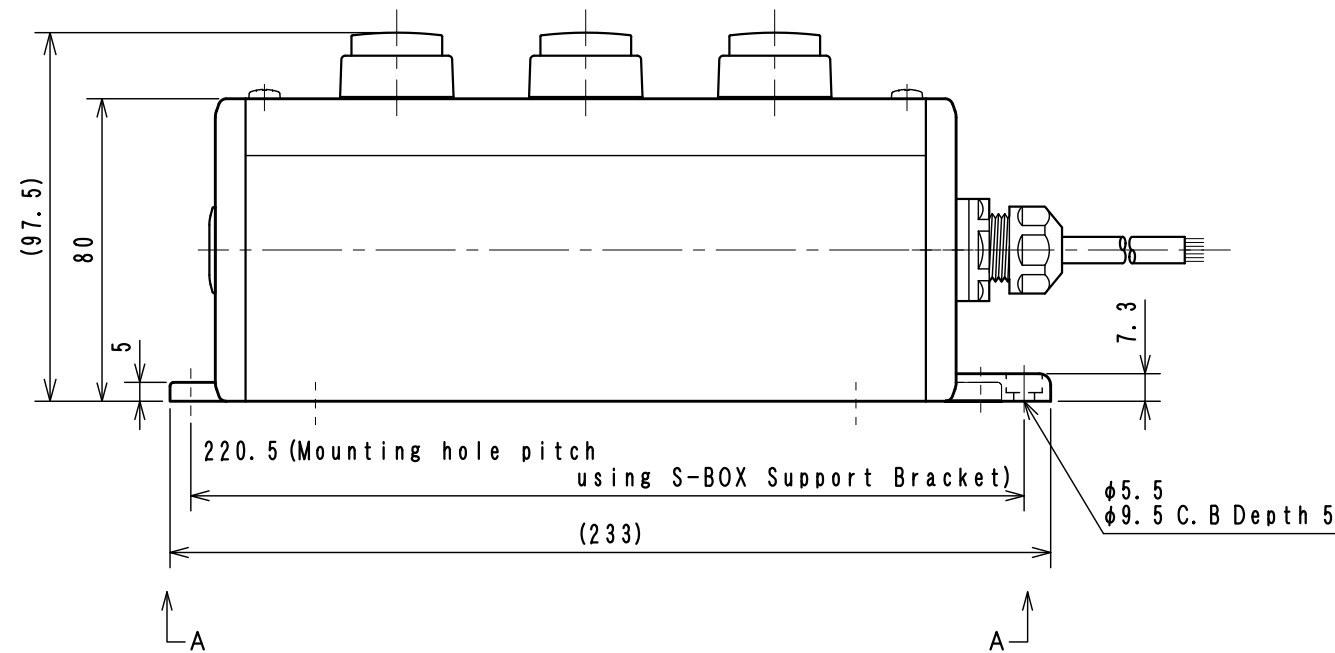
Item No.	Assembly Name
NJC-30F	S-6480D Switch 3R (GRY) 1m/1P+SB

※Attached: S-BOX Support Bracket <D4R-001B>

1	C1S-233G	Pushbutton Switch (Lighted)	AR22E0L-11E3G
2	C1S-233R	Pushbutton Switch (Lighted)	AR22E0L-11E3R
3	C1S-233Y	Pushbutton Switch (Lighted)	AR22E0L-11E3Y



Detail B  
Scale 2:1



A-A View  
Scale 1:2

<Associated drawings>  
WCW000558-00

Applicable Item No.	NJC-30F
	NJC-31F
	NJC-32F

No.	Switch Model No.	Item No.
1	AR22E0L-11E3G	C1S-233G
2	AR22E0L-11E3R	C1S-233R
3	AR22E0L-11E3Y	C1S-233Y

Cable processing detail

