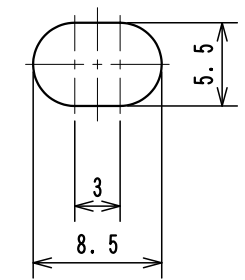
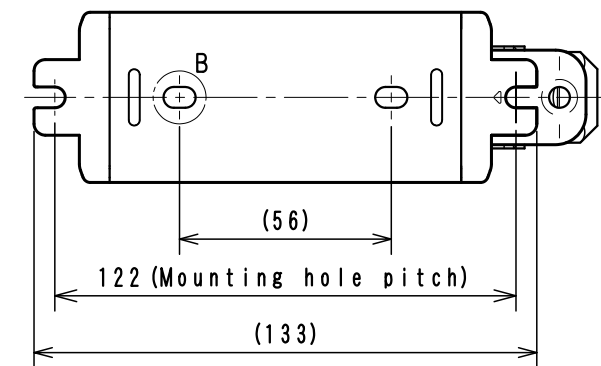
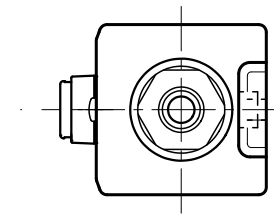
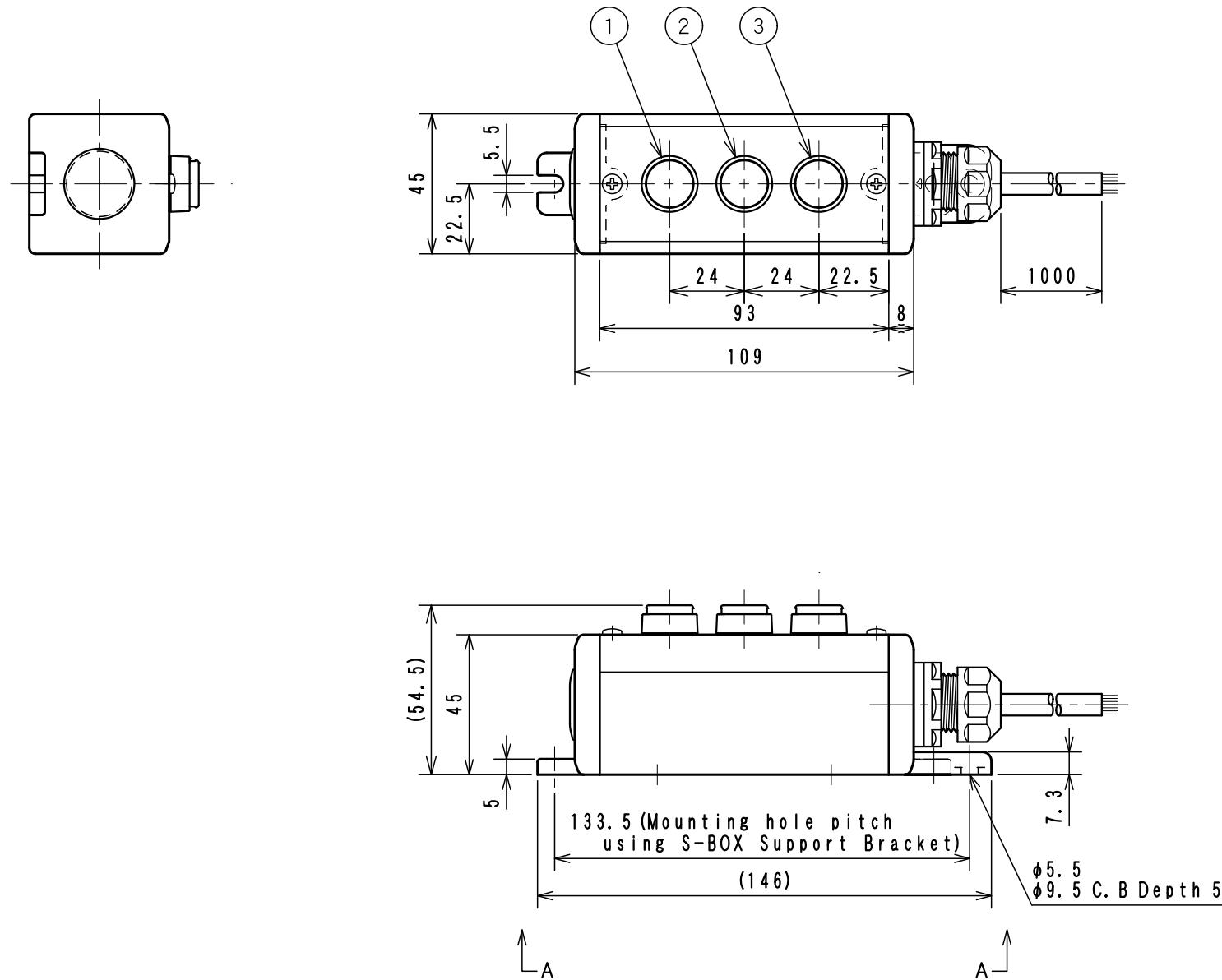


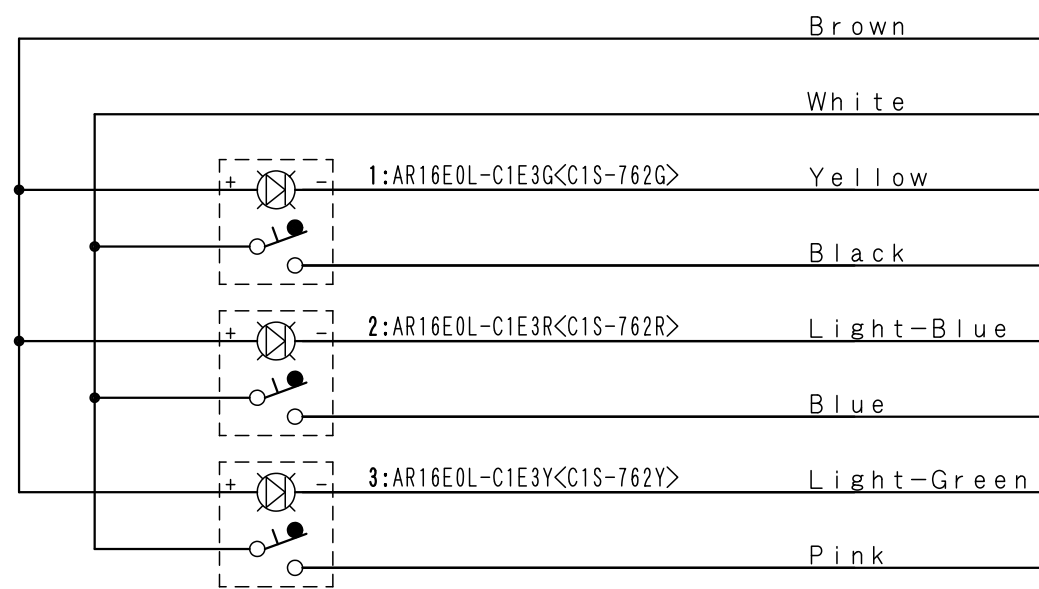
Item No.	Assembly Name
NJC-317	S-4545D Switch3R (GRY) 1m/1P+SB

1	C1S-762G	Pushbutton Switch(Lighted) AR16E0L-C1E3G
2	C1S-762R	Pushbutton Switch(Lighted) AR16E0L-C1E3R
3	C1S-762Y	Pushbutton Switch(Lighted) AR16E0L-C1E3Y



Applicable Item No.	NJC-317
---------------------	---------

No.	Switch Model No.	Item No.
1	AR16E0L-C1E3G	C1S-762G
2	AR16E0L-C1E3R	C1S-762R
3	AR16E0L-C1E3Y	C1S-762Y



Cable processing detail

