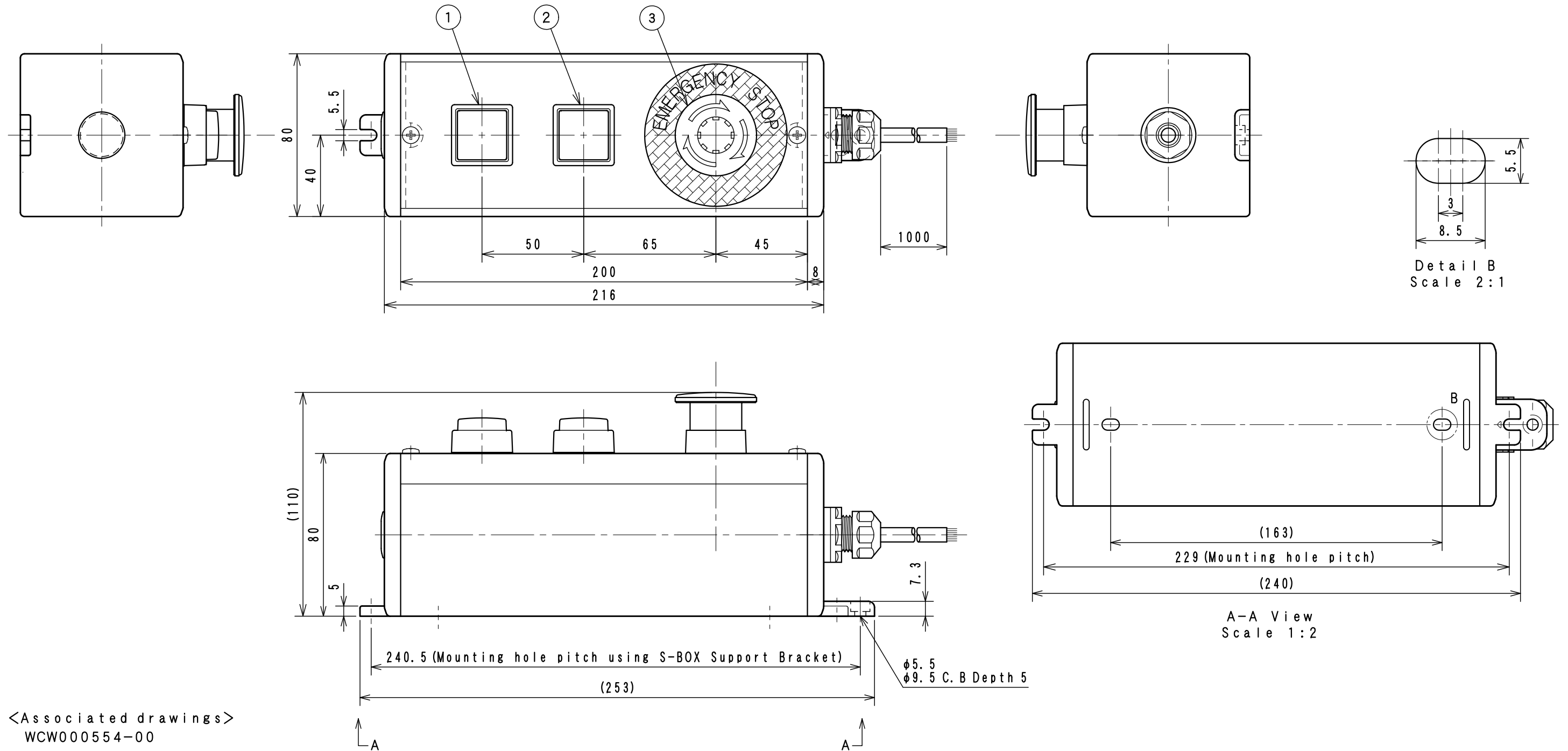


Item No.	Assembly Name
NJC-31B	S-8080D Switch 3 (GR) / 1m 1P+SB

※Attached: S-BOX Support Bracket <D4R-001B>

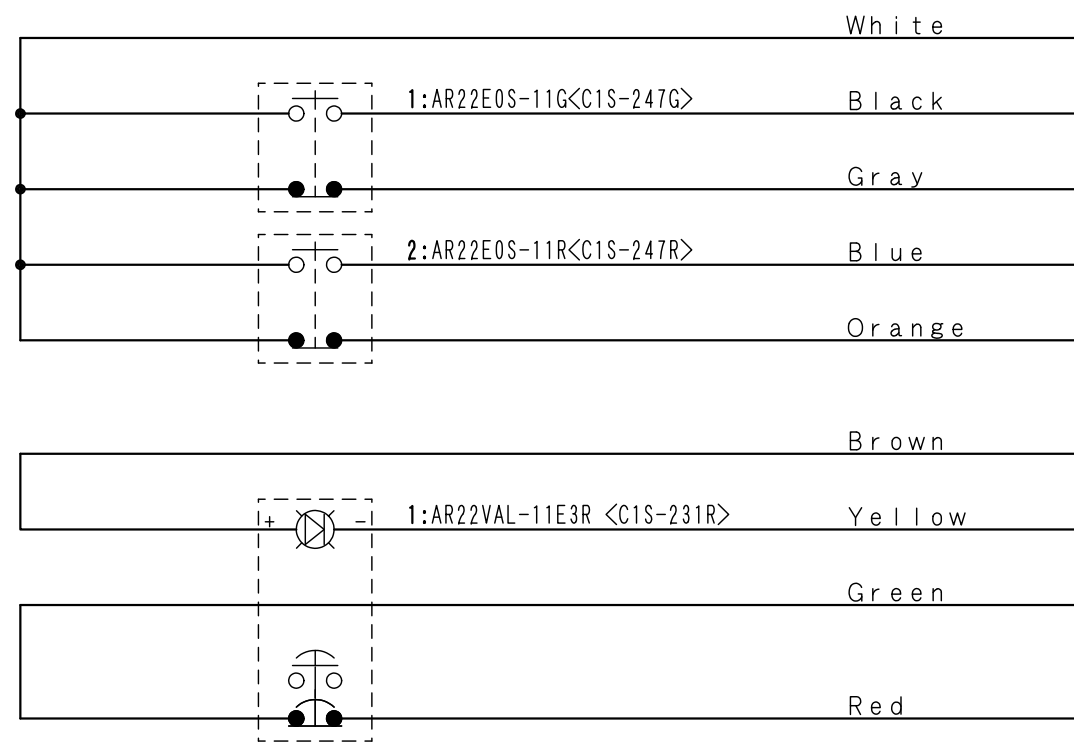
1	C1S-247G	Pushbutton Switch AR22E0S-11G
2	C1S-247R	Pushbutton Switch AR22E0S-11R
3	C1S-231R	Emergency Stop Switch (Lighted) AR22VAL-11E3R



<Associated drawings>
WCW000554-00

Applicable Item No.	NJC-30B
	NJC-31B
	NJC-32B

No.	Switch Model No.	Item No.
1	AR22E0S-11G	C1S-247G
2	AR22E0S-11R	C1S-247R
3	AR22VAL-11E3R	C1S-231R



Cable processing detail

