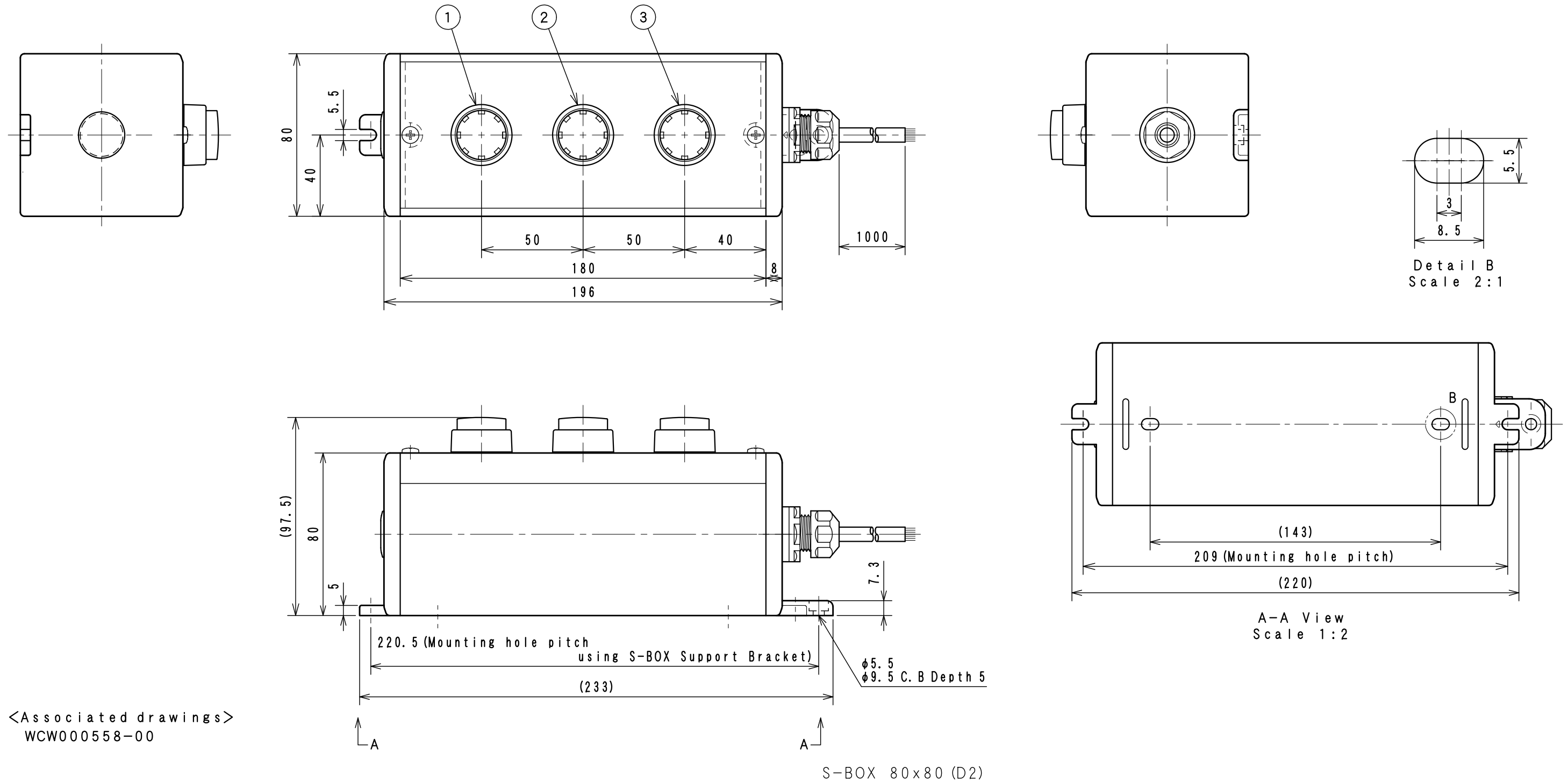


Item No.	Assembly Name
NJC-31F	S-8080D Switch 3R (GRY) / 1m 1P+S

※Attached: S-BOX Support Bracket <D4R-001B>

1	C1S-233G	Pushbutton Switch(Lighted)	AR22E0L-11E3G
2	C1S-233R	Pushbutton Switch(Lighted)	AR22E0L-11E3R
3	C1S-233Y	Pushbutton Switch(Lighted)	AR22E0L-11E3Y

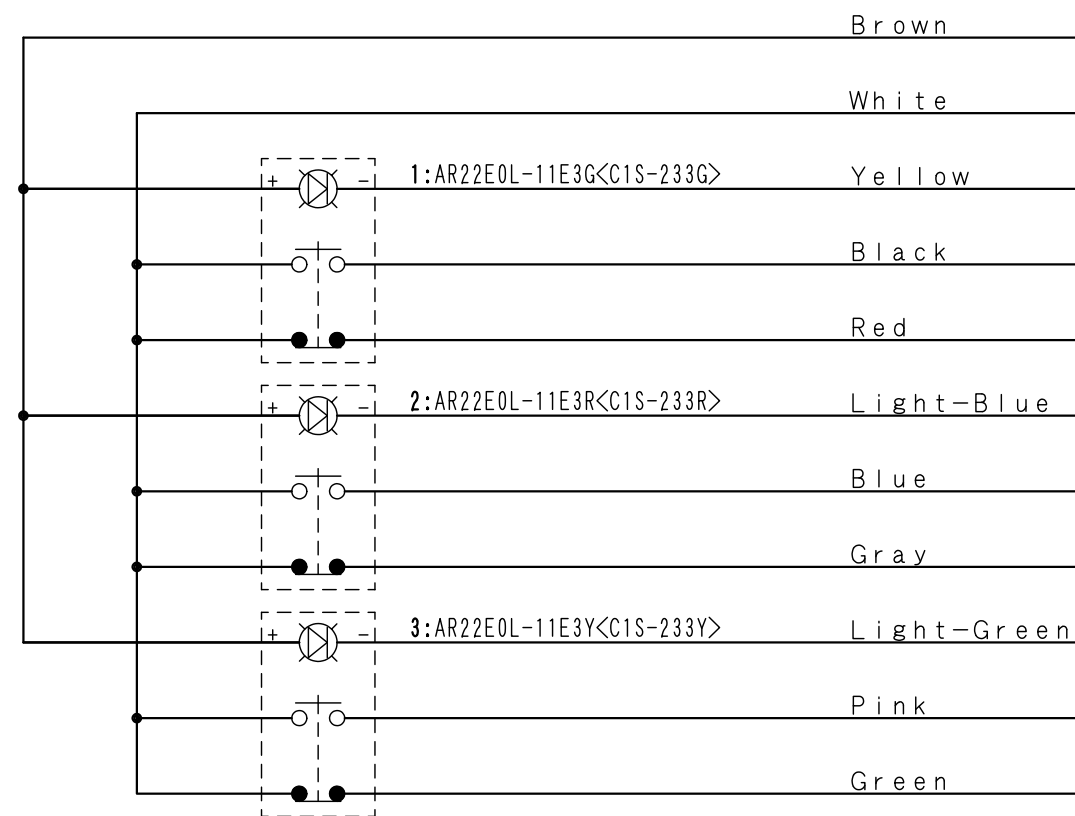


<Associated drawings>
WCW000558-00

S-BOX 80x80 (D2)

Applicable Item No.	NJC-30F
	NJC-31F
	NJC-32F

No.	Switch Model No.	Item No.
1	AR22E0L-11E3G	C1S-233G
2	AR22E0L-11E3R	C1S-233R
3	AR22E0L-11E3Y	C1S-233Y



Cable processing detail

