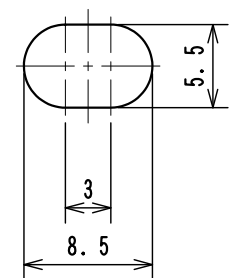
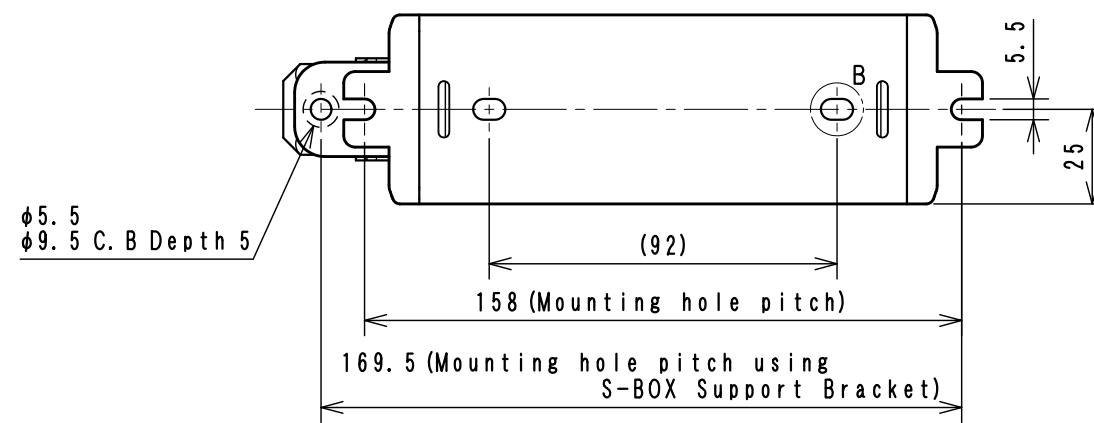
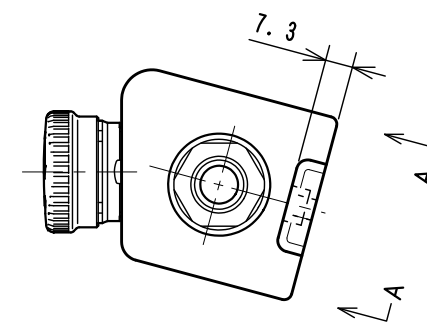
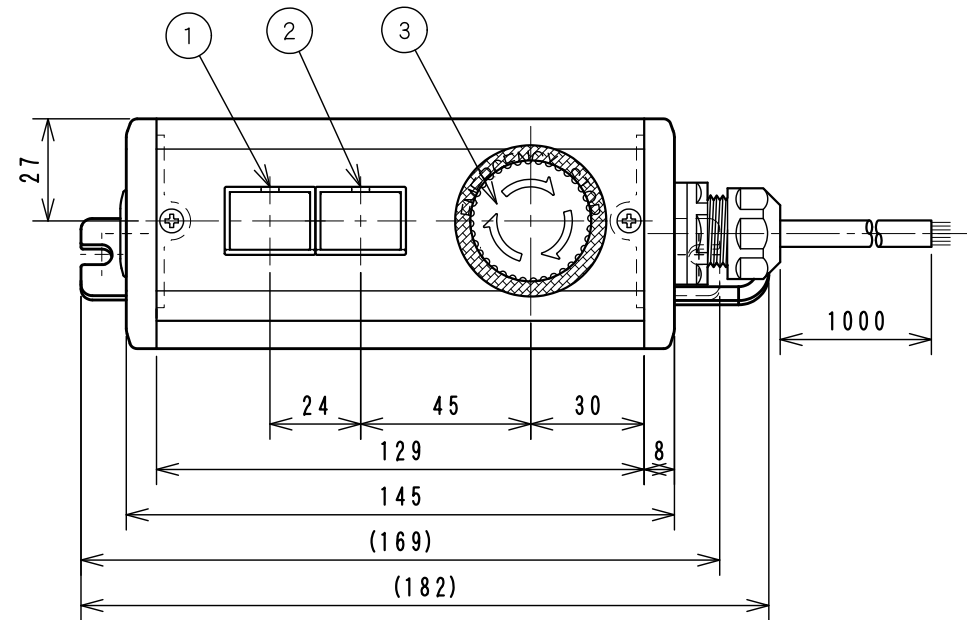
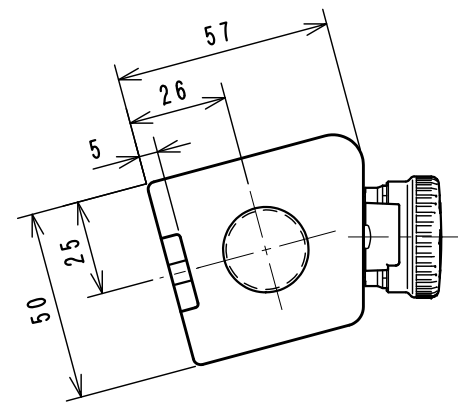


Item No.	Assembly Name
NJC-321	S-5057D Switch 3 (GR) 1m/1P+SB

※Attached: S-BOX Support Bracket <D4R-001B>

1	C1S-761G	Pushbutton Switch(Lighted) AR16G0N-C1E3G
2	C1S-761R	Pushbutton Switch(Lighted) AR16G0N-C1E3R
3	C1S-757R	Emergency Stop Switch(Lighted) AR16V0L-02E3R



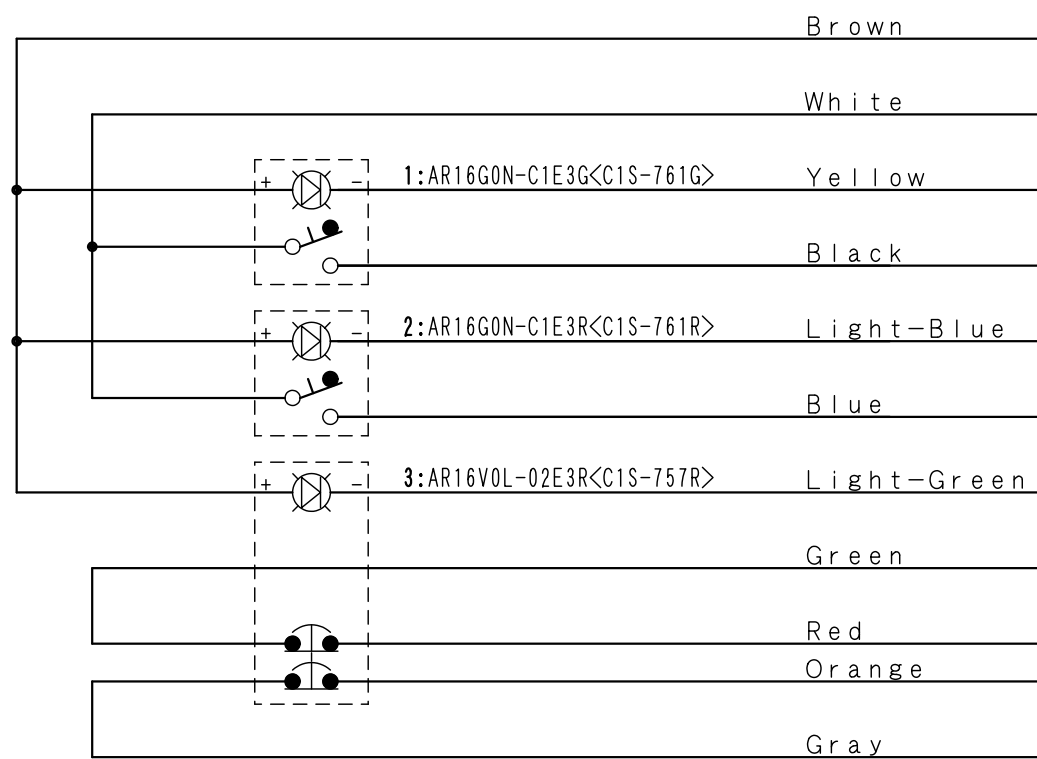
Detail B  
Scale 2:1  
2 Places

<Associated drawings>  
WCW000514-01

A-A View

Applicable Item No.	NJC-311
	NJC-321

No.	Switch Model No.	Item No.
1	AR16G0N-C1E3G	C1S-761G
2	AR16G0N-C1E3R	C1S-761R
3	AR16V0L-02E3R	C1S-757R



Cable processing detail

