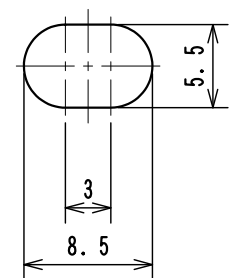
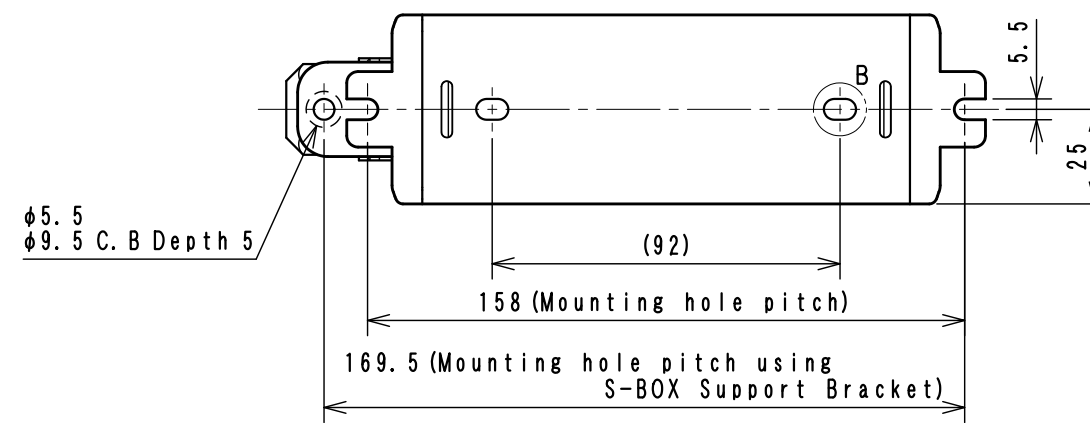
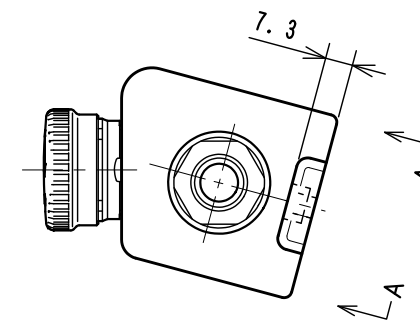
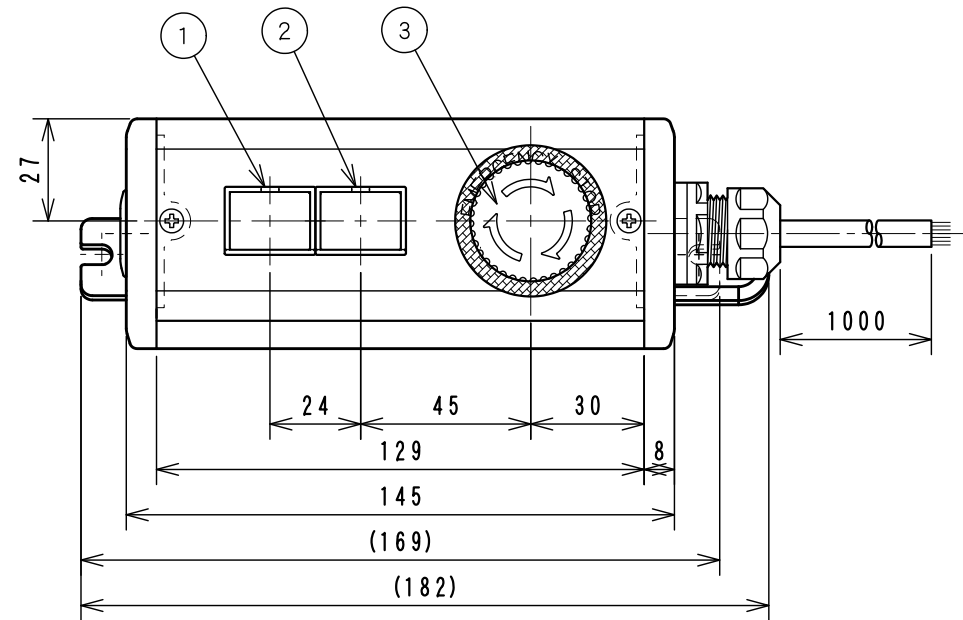
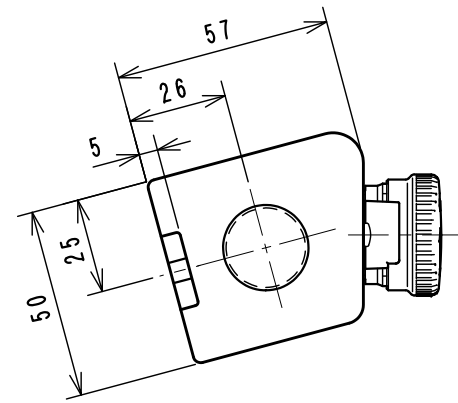


Item No.	Assembly Name
NJC-323	S-5057D Switch 3 (GR) 1m/1P+SB

※Attached: S-BOX Support Bracket <D4R-001B>

1	C1S-763G	Pushbutton Switch AR16G0T-C1G
2	C1S-763R	Pushbutton Switch AR16G0T-C1R
3	C1S-757R	Emergency Stop Switch (Lighted) AR16V0L-02E3R



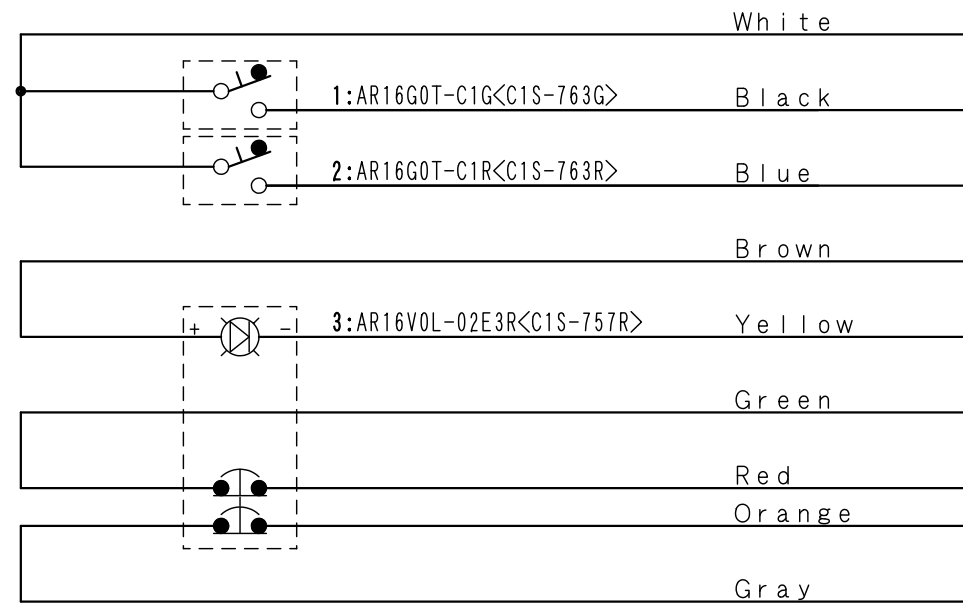
Detail B
Scale 2:1
2 Places

<Associated drawings>
WCW000516-01

A-A View

Applicable Item No.	NJC-313
	NJC-323

No.	Switch Model No.	Item No.
1	AR16G0T-C1G	C1S-763G
2	AR16G0T-C1R	C1S-763R
3	AR16V0L-02E3R	C1S-757R



Cable processing detail

