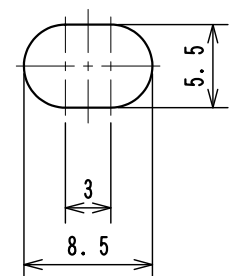
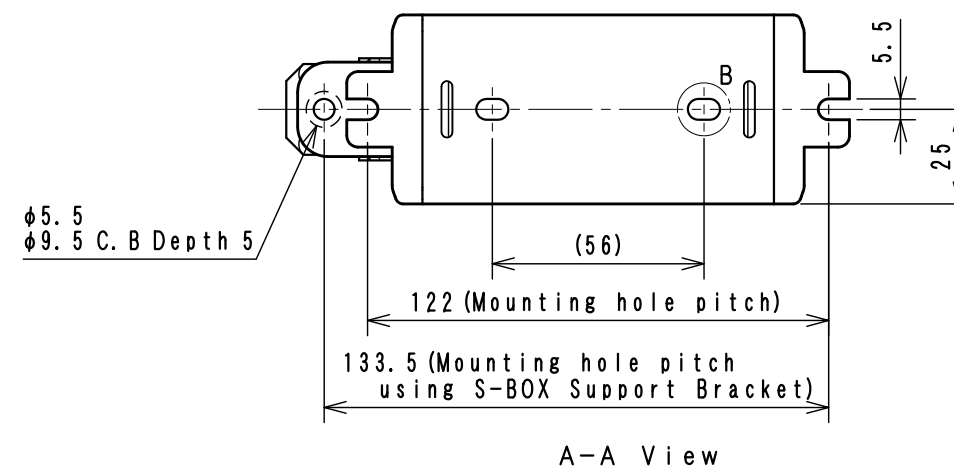
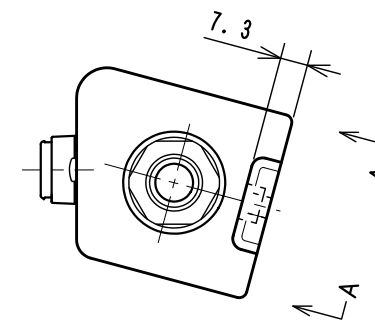
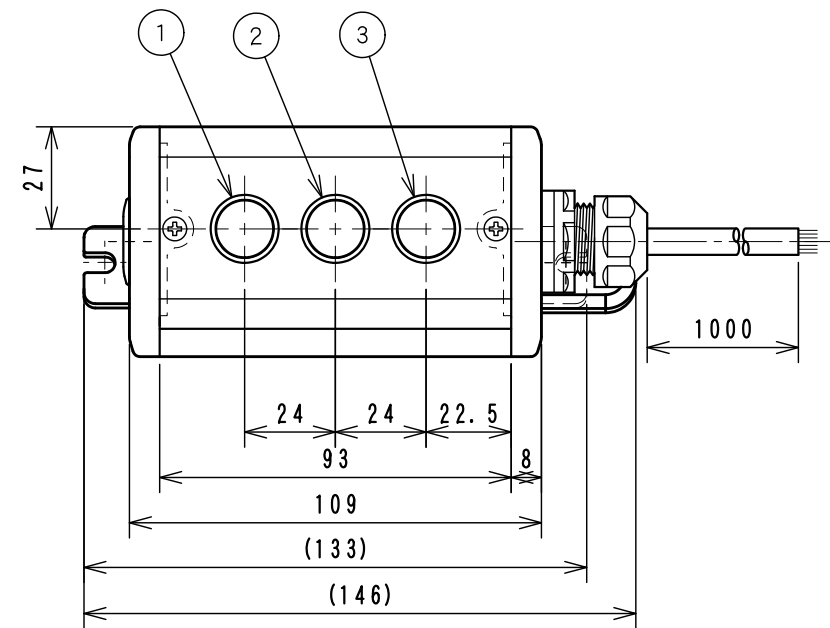
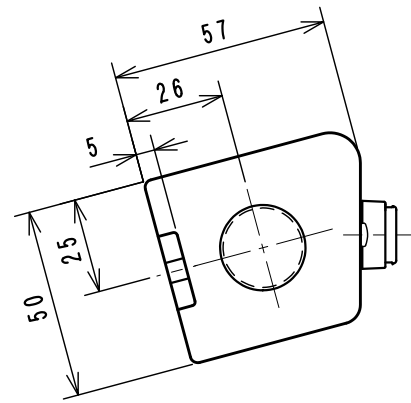


Item No.	Assembly Name
NJC-327	S-5057D Switch 3R (GRY) 1m/1P+SB

※Attached: S-BOX Support Bracket <D4R-001B>

1	C1S-762G	Pushbutton Switch(Lighted)	AR16E0L-C1E3G
2	C1S-762R	Pushbutton Switch(Lighted)	AR16E0L-C1E3R
3	C1S-762Y	Pushbutton Switch(Lighted)	AR16E0L-C1E3Y

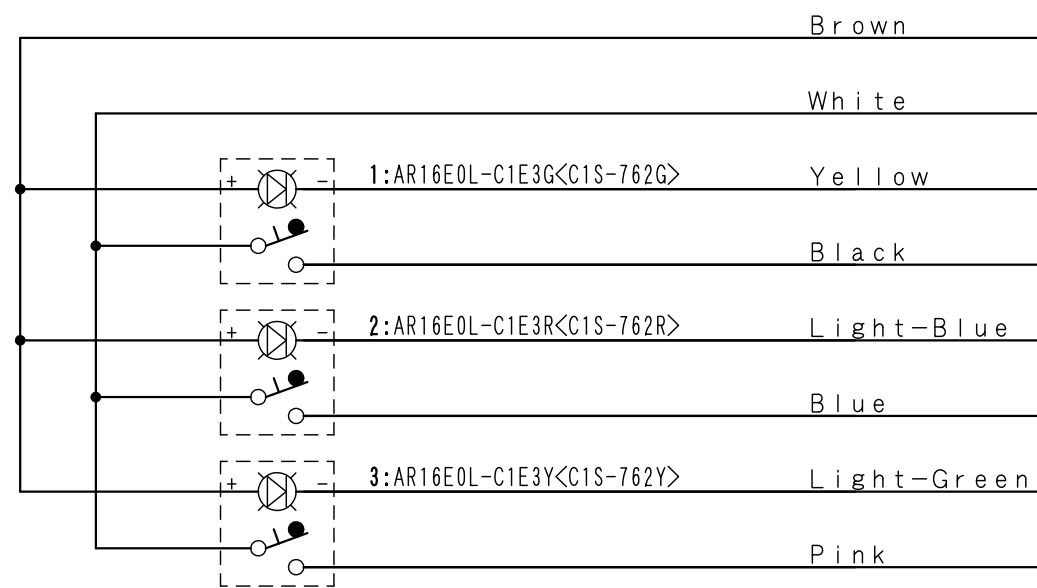


Detail B
Scale 2:1
2 Places

<Associated drawings>
WCW000520-01

Applicable Item No.	NJC-317
	NJC-327

No.	Switch Model No.	Item No.
1	AR16E0L-C1E3G	C1S-762G
2	AR16E0L-C1E3R	C1S-762R
3	AR16E0L-C1E3Y	C1S-762Y



Cable processing detail

