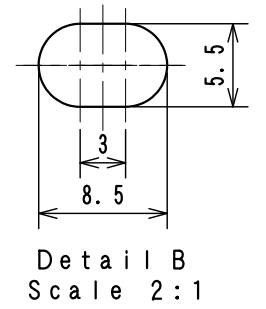
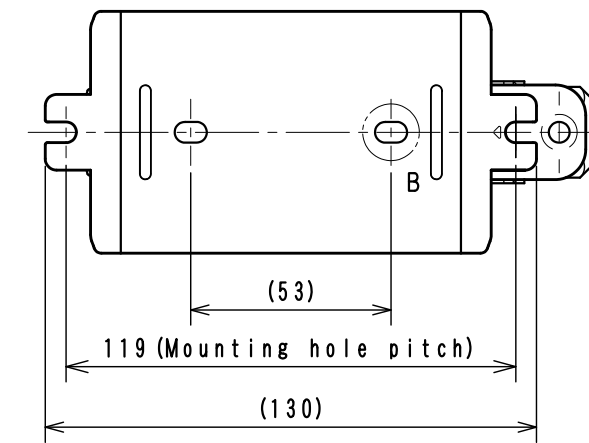
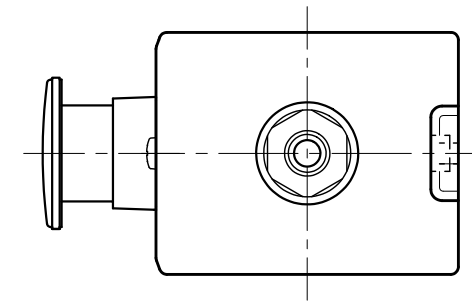
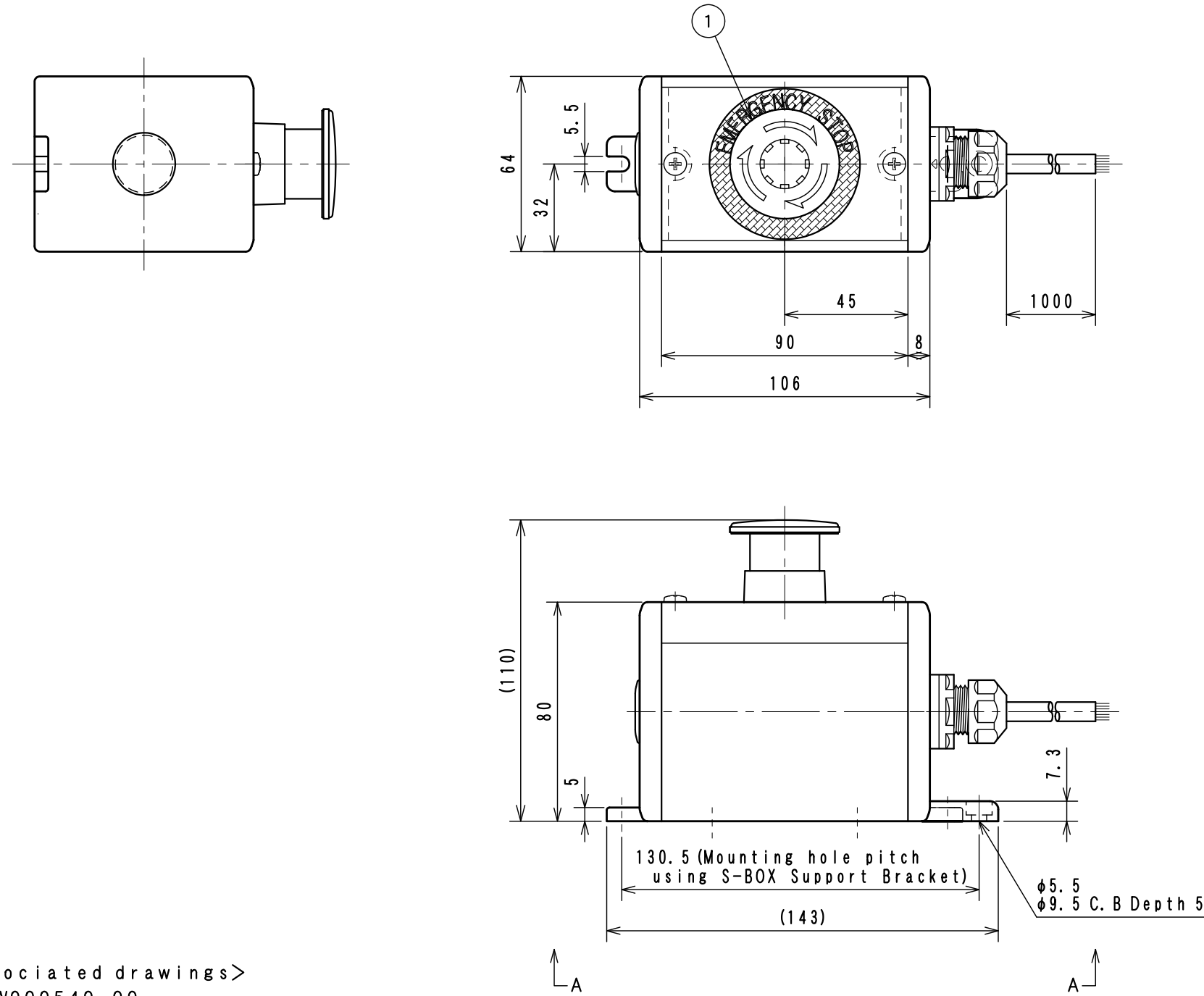


Item No.	Assembly Name
NLC-10B	S-6480D Switch 1/1m 1P+SB

※Attached: S-BOX Support Bracket <D4R-001B>

1	C1S-232R	Emergency Stop Switch AR22V2R-11R
---	----------	-----------------------------------



A-A View
Scale 1:2

<Associated drawings>
WCW000540-00

Applicable Item No.	NLC-10B
	NLC-11B
	NLC-12B

No.	Switch Model No.	Item No.
1	AR22V2R-11R	C1S-232R

