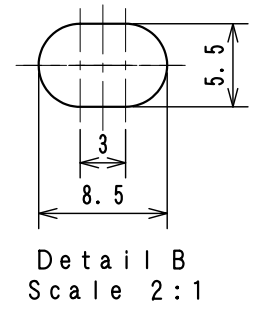
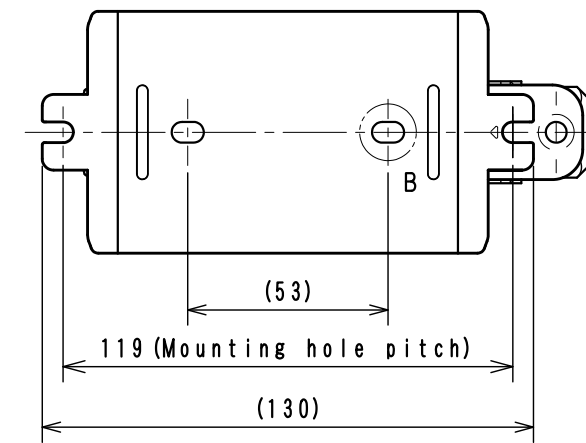
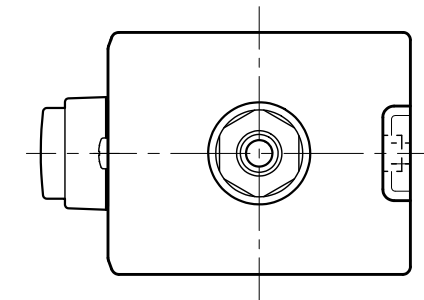
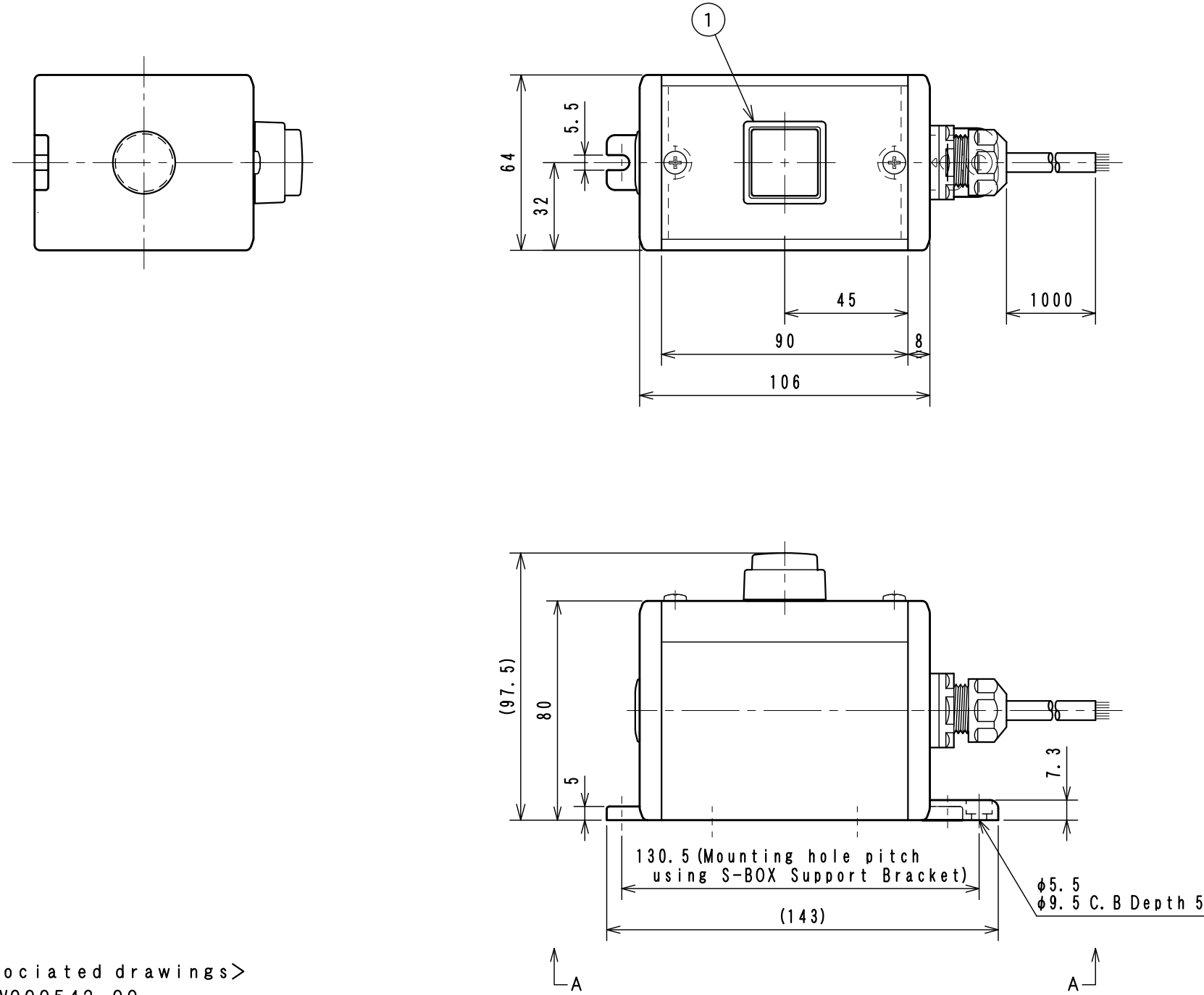


Item No.	Assembly Name
NLC-10D	S-6480D Switch 1S (G) / 1m 1P+SB

※Attached: S-BOX Support Bracket <D4R-001B>

1	C1S-247G	Pushbutton Switch AR22E0S-11G
---	----------	-------------------------------

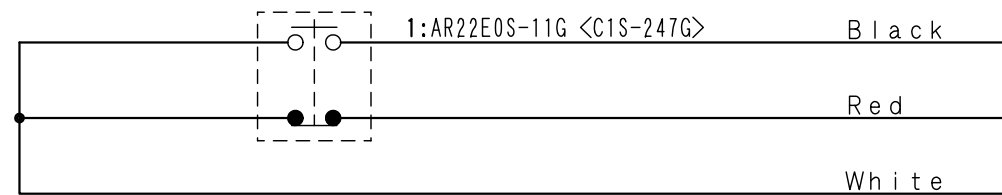


A-A View
Scale 1:2

<Associated drawings>
WCW000542-00

Applicable Item No.	NLC-10D
	NLC-11D
	NLC-12D

No.	Switch Model No.	Item No.
1	AR22E0S-11G	C1S-247G



Cable processing detail

