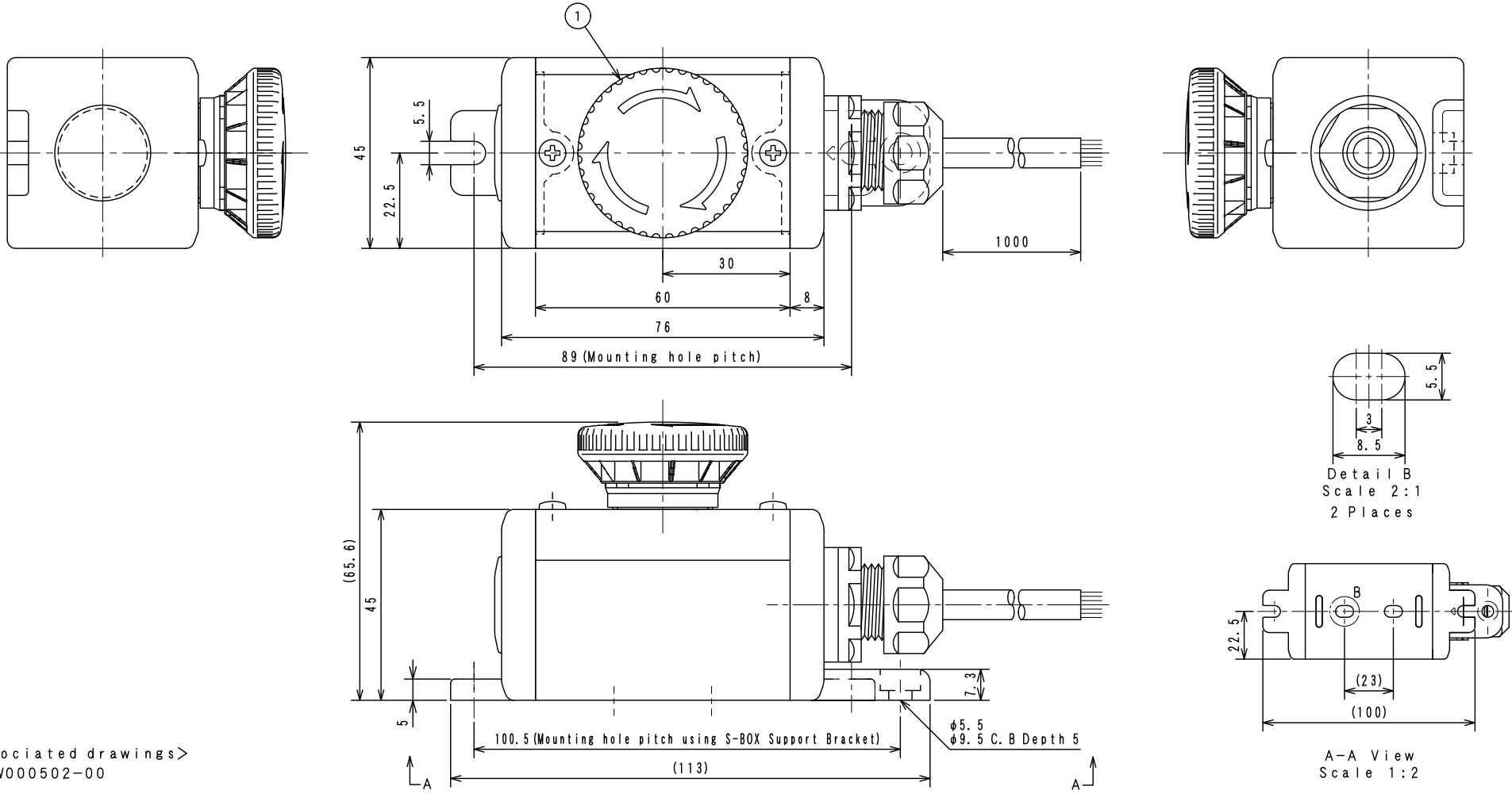


Item No.
NLC-114

1	C1S-760R	Emergency Stop Switch AR16V1R-02R
---	----------	-----------------------------------

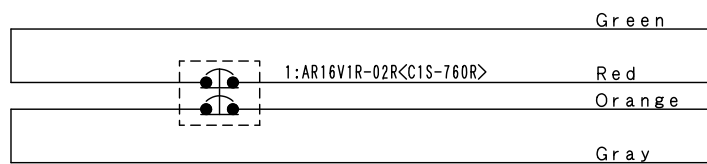
※Attached: S-BOX Support Bracket <D4R-001B>



<Associated drawings>
WCW000502-00

Applicable Item No.	NLC-114
---------------------	---------

No.	Switch Model No.	Item No.
1	AR16V1R-02R	C1S-760R



Cable processing detail

