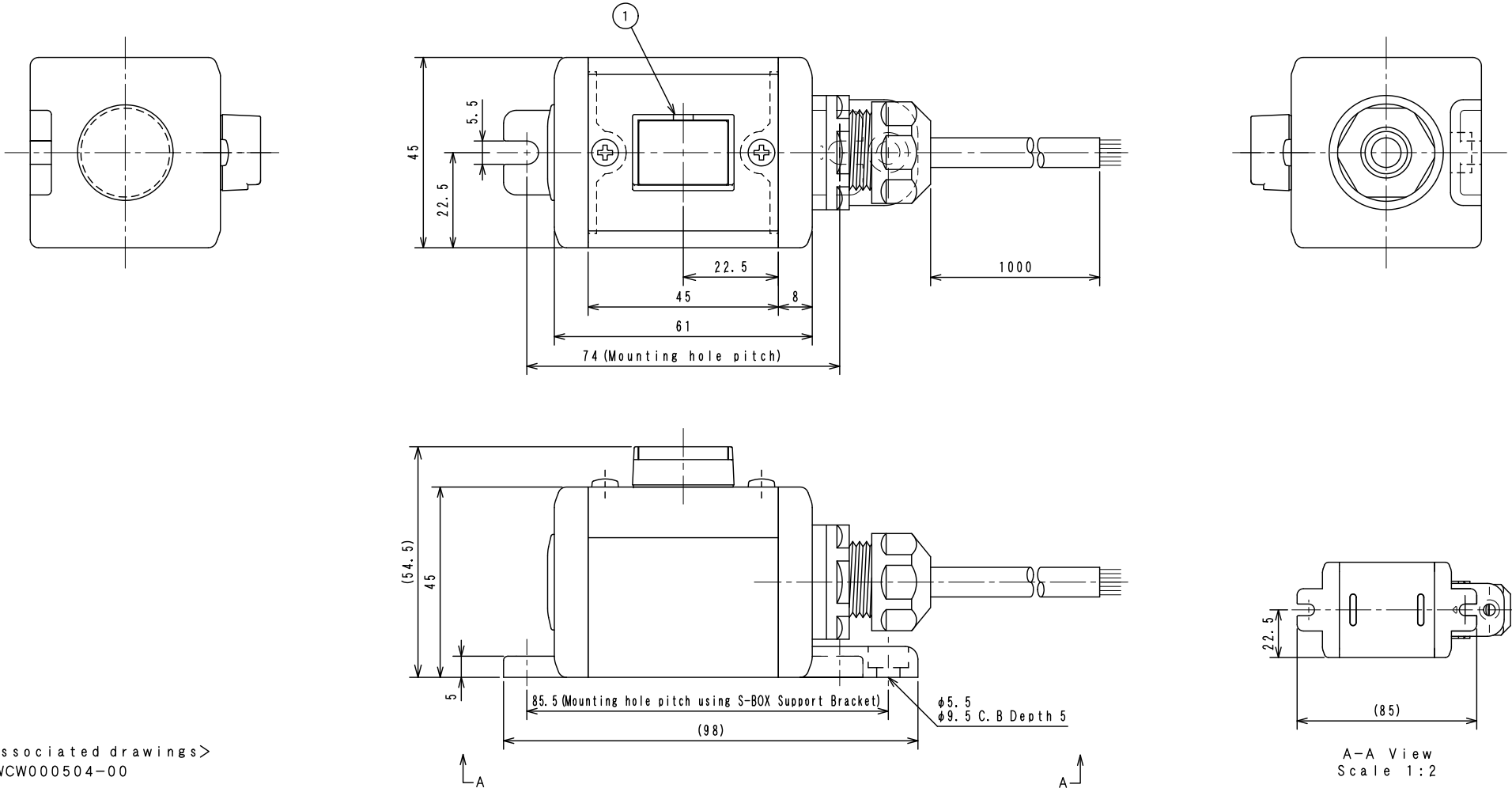


Item No.
NLC-116

1	C1S-763G	Pushbutton Switch AR16G0T-C1G
---	----------	-------------------------------

※Attached: S-BOX Support Bracket <D4R-001B>

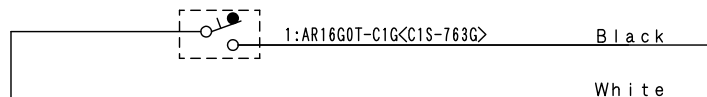


<Associated drawings>
WCW000504-00

A-A View
Scale 1:2

Applicable Item No.	NLC-116
---------------------	---------

No.	Switch Model No.	Item No.
1	AR16G0T-C1G	C1S-763G



Cable processing detail

