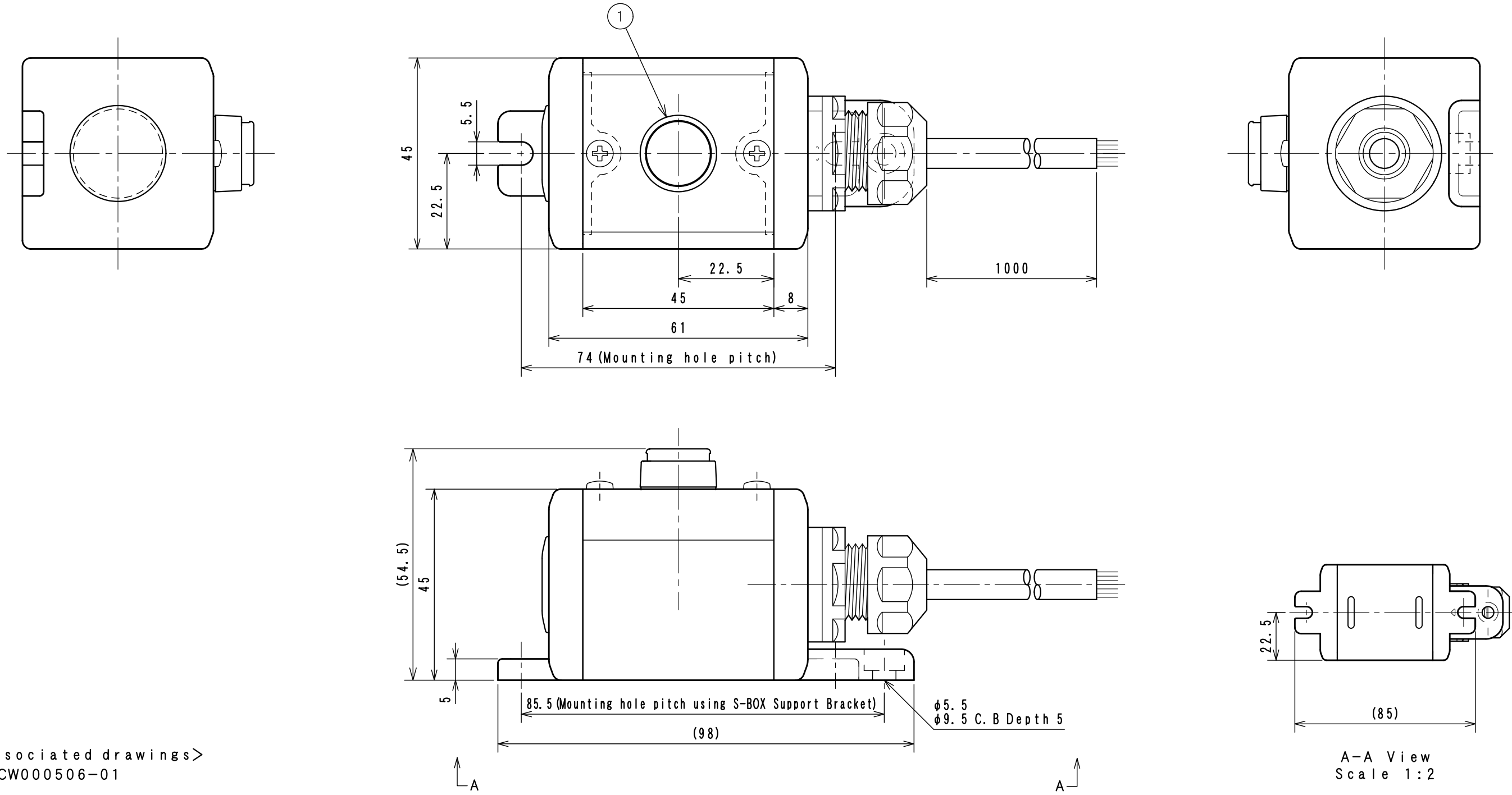


Item No.
NLC-118

1	C1S-764G	Pushbutton Switch AR16E0R-C1G
---	----------	-------------------------------

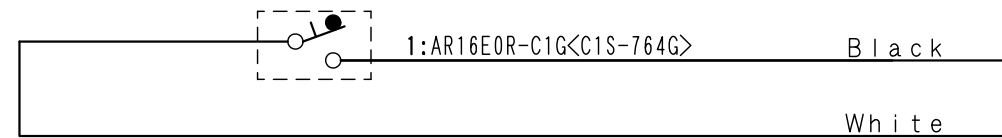
※Attached:S-BOX Support Bracket <D4R-001B>



<Associated drawings>
WCW000506-01

Applicable Item No.	NLC-118
	NLC-128

No.	Switch Model No.	Item No.
1	AR16E0R-C1G	C1S-764G



Cable processing detail

