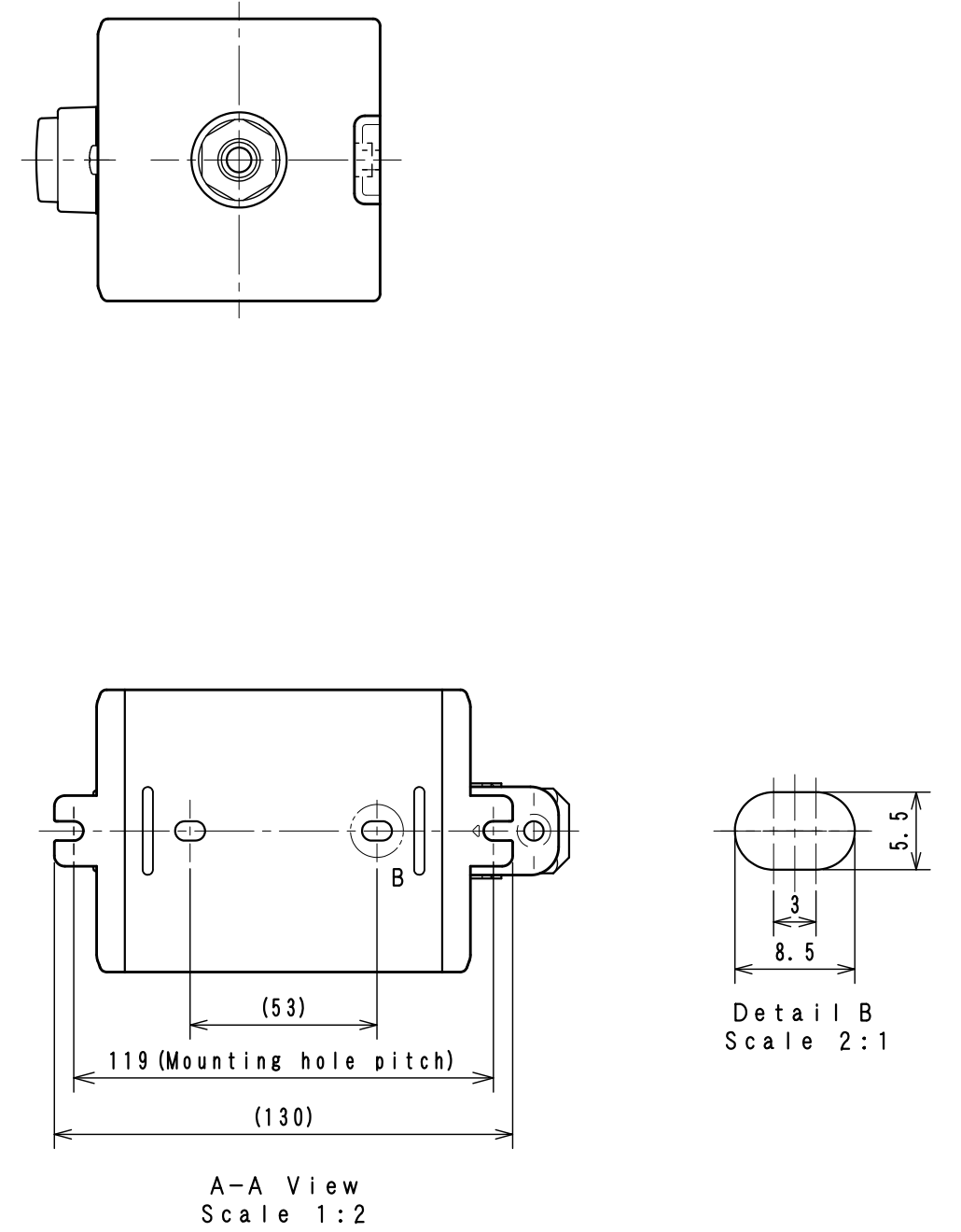
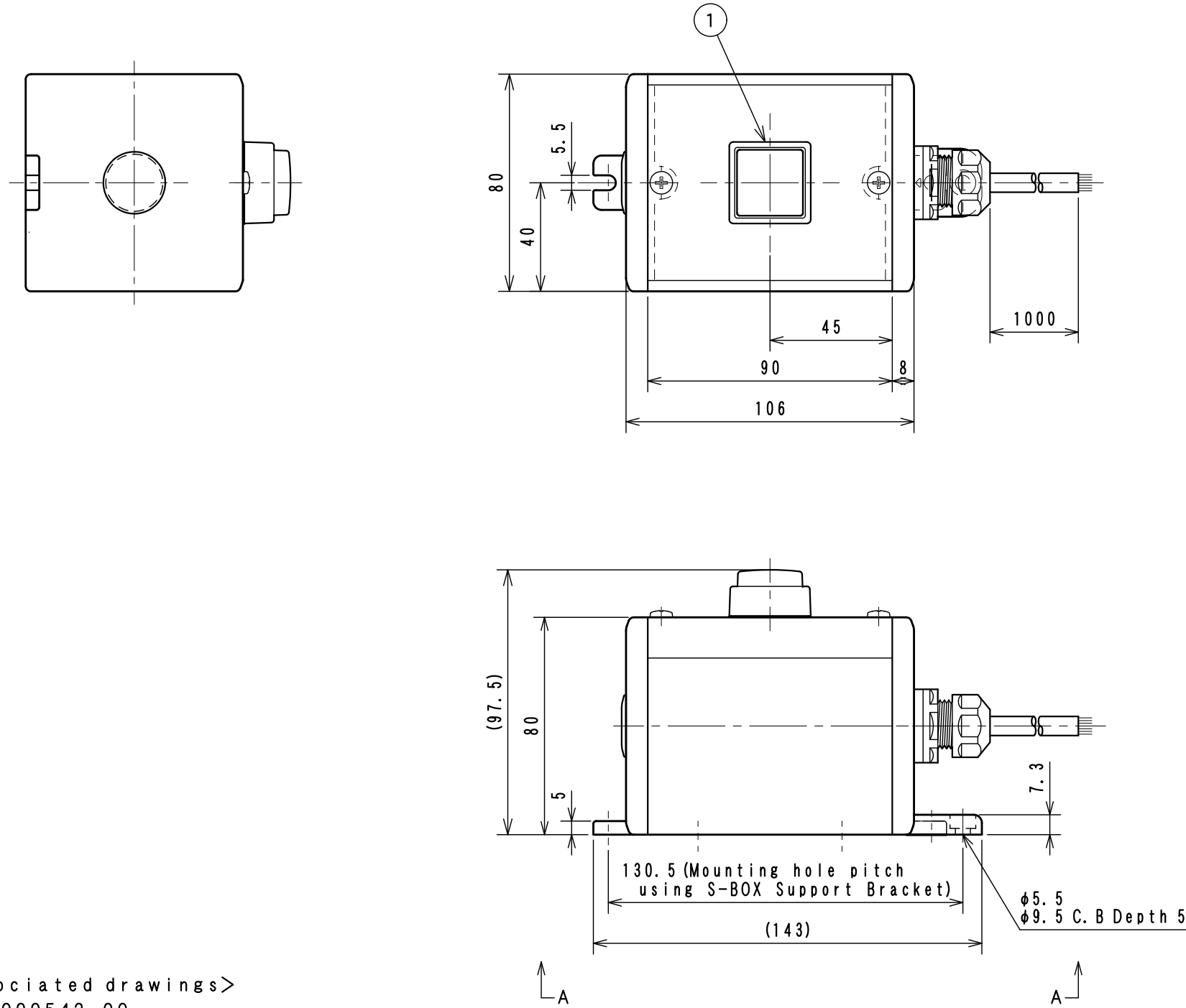


| | |
|----------|--------------------------------|
| Item No. | Assembly Name |
| NLC-11D | S-8080D Switch1S (G) /1m 1P+SB |

※Attached:S-BOX Support Bracket <D4R-001B>

| | | |
|---|----------|-------------------------------|
| 1 | C1S-247G | Pushbutton Switch AR22E0S-11G |
|---|----------|-------------------------------|



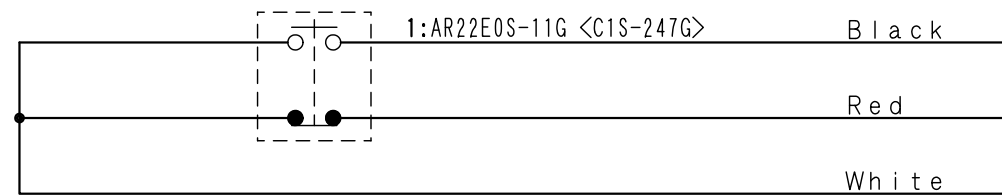
<Associated drawings>
WCW000542-00

A-A View
Scale 1:2

Detail B
Scale 2:1

| | |
|---------------------|---------|
| Applicable Item No. | NLC-10D |
| | NLC-11D |
| | NLC-12D |

| No. | Switch Model No. | Item No. |
|-----|------------------|----------|
| 1 | AR22E0S-11G | C1S-247G |



Cable processing detail

