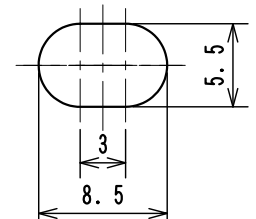
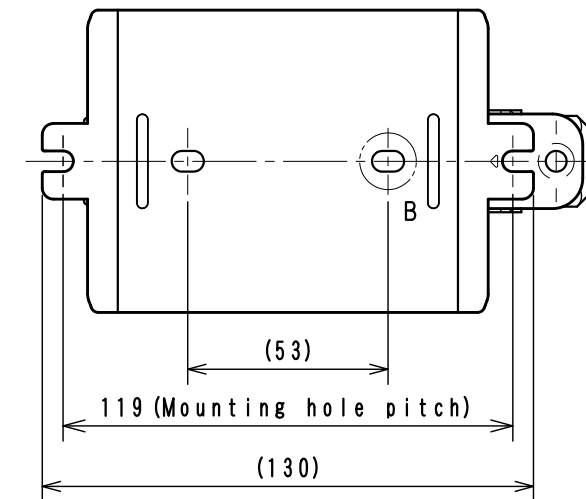
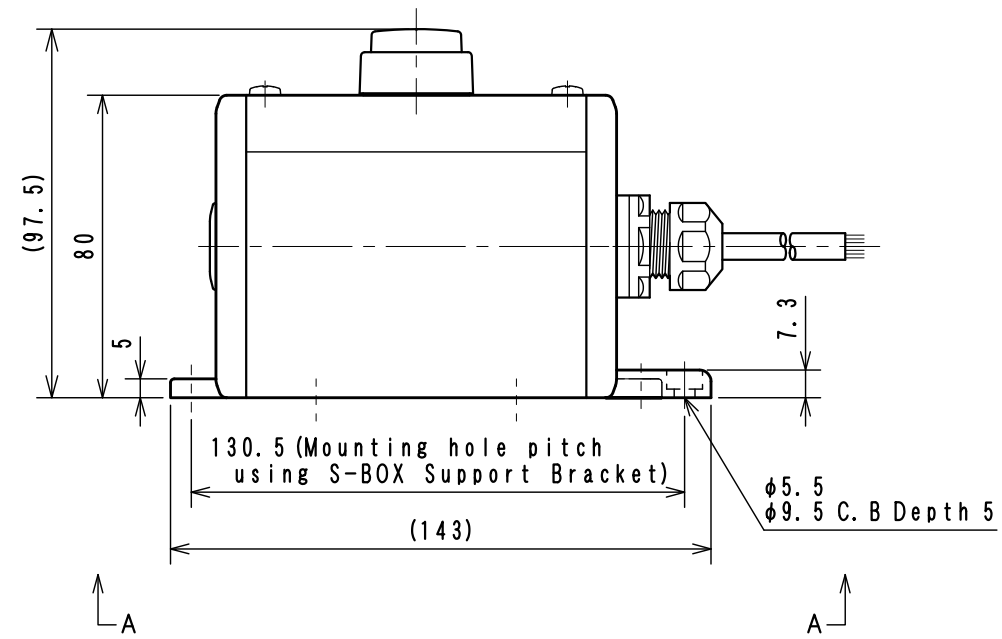
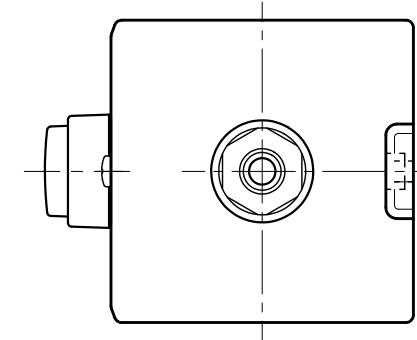
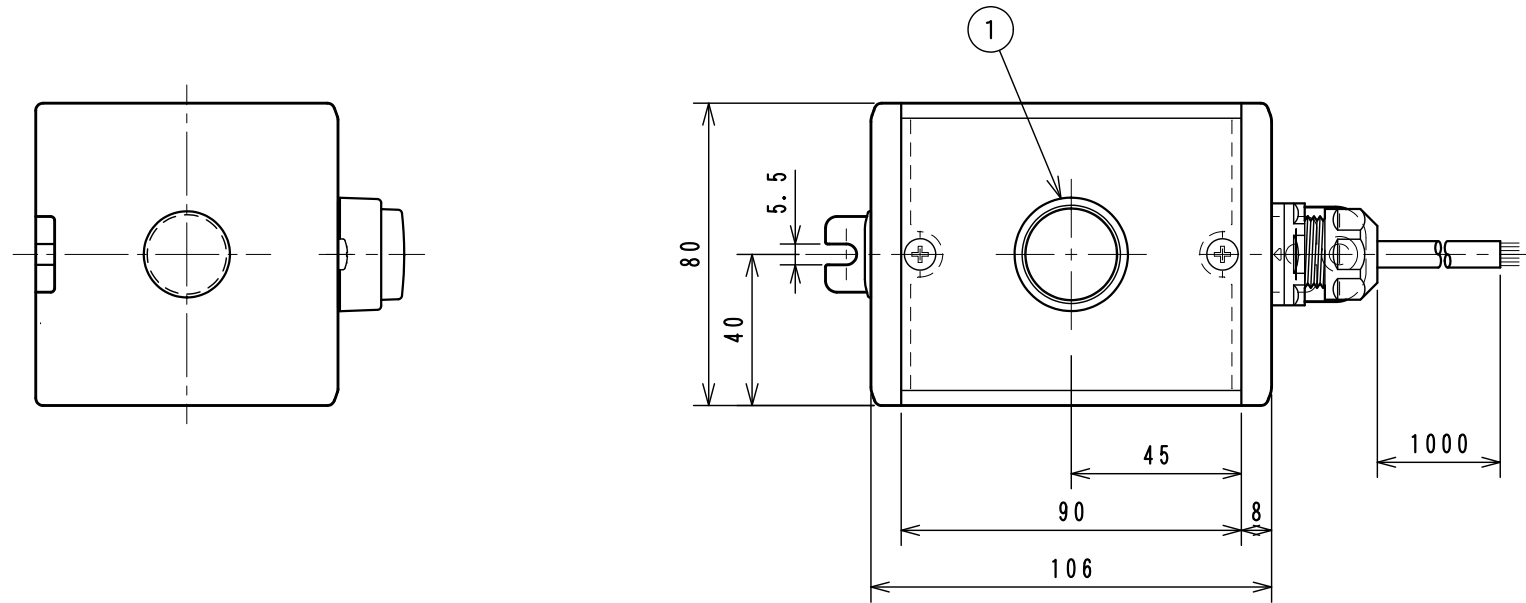


Item No.	Assembly Name
NLC-11F	S-8080D Switch1R (G) /1m 1P+SB

※Attached: S-BOX Support Bracket <D4R-001B>

1	C1S-237G	Pushbutton Switch AR22E0R-11G
---	----------	-------------------------------



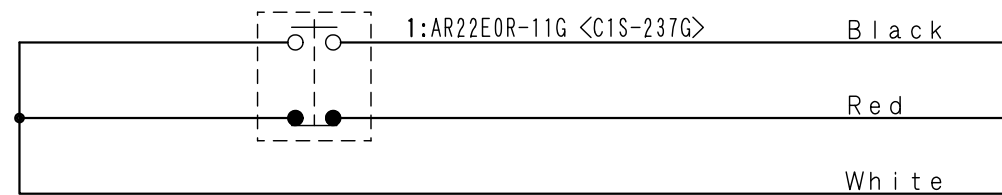
Detail B
Scale 2:1

A-A View
Scale 1:2

<Associated drawings>
WCW000544-00

Applicable Item No.	NLC-10F
	NLC-11F
	NLC-12F

No.	Switch Model No.	Item No.
1	AR22E0R-11G	C1S-237G



Cable processing detail

