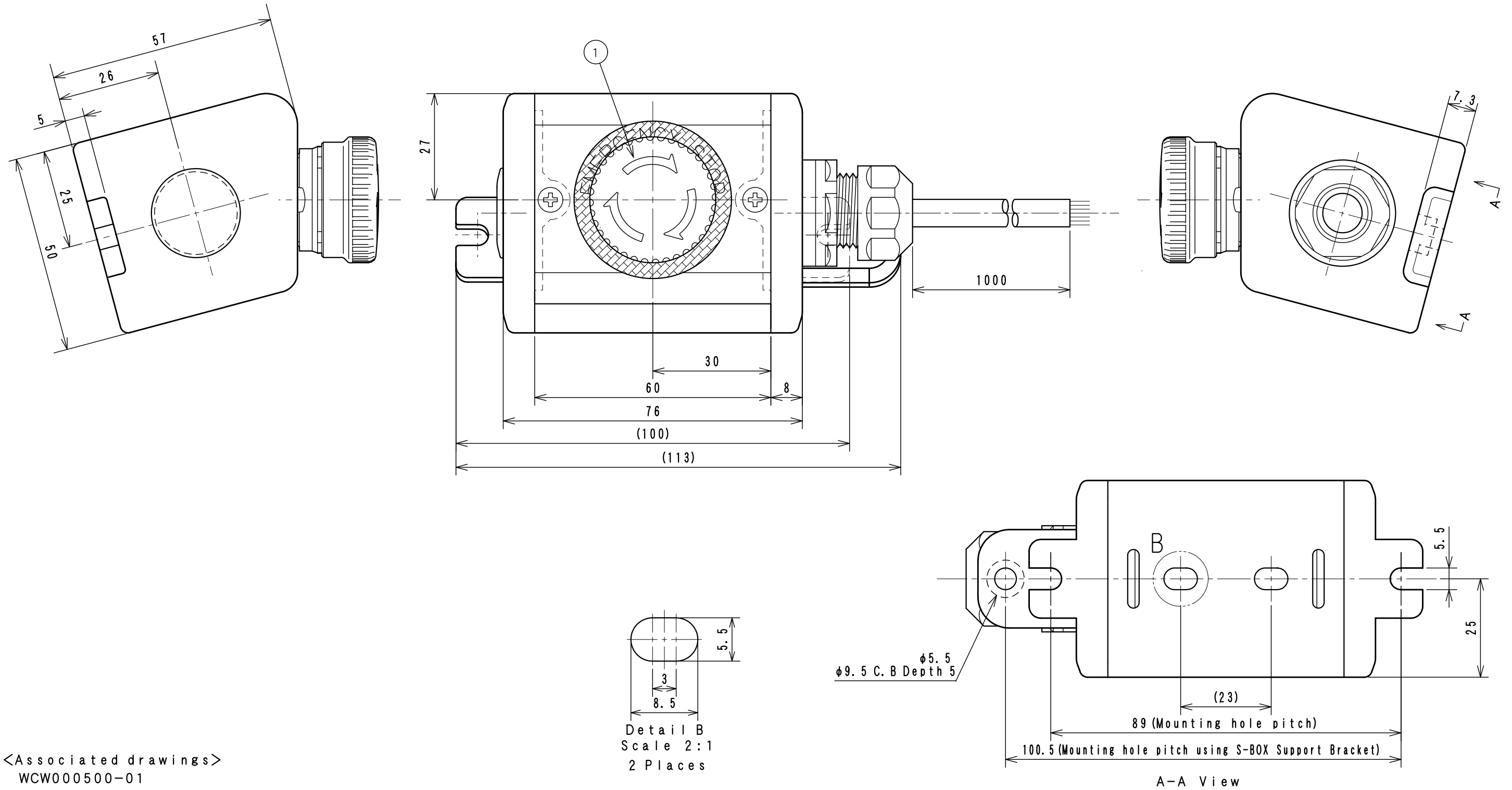


Item No.	Assembly Name
NLC-122	S-5057D Switch 1/1m 1P+SB

※Attached:S-BOX Support Bracket <D4R-001B>

1	C1S-758R	Emergency Stop Switch AR16V0R-02R
---	----------	-----------------------------------



<Associated drawings>  
WCW000500-01

Applicable Item No.	NLC-112
	NLC-122

No.	Switch Model No.	Item No.
1	AR16V0R-02R	C1S-758R



**Cable processing detail**

