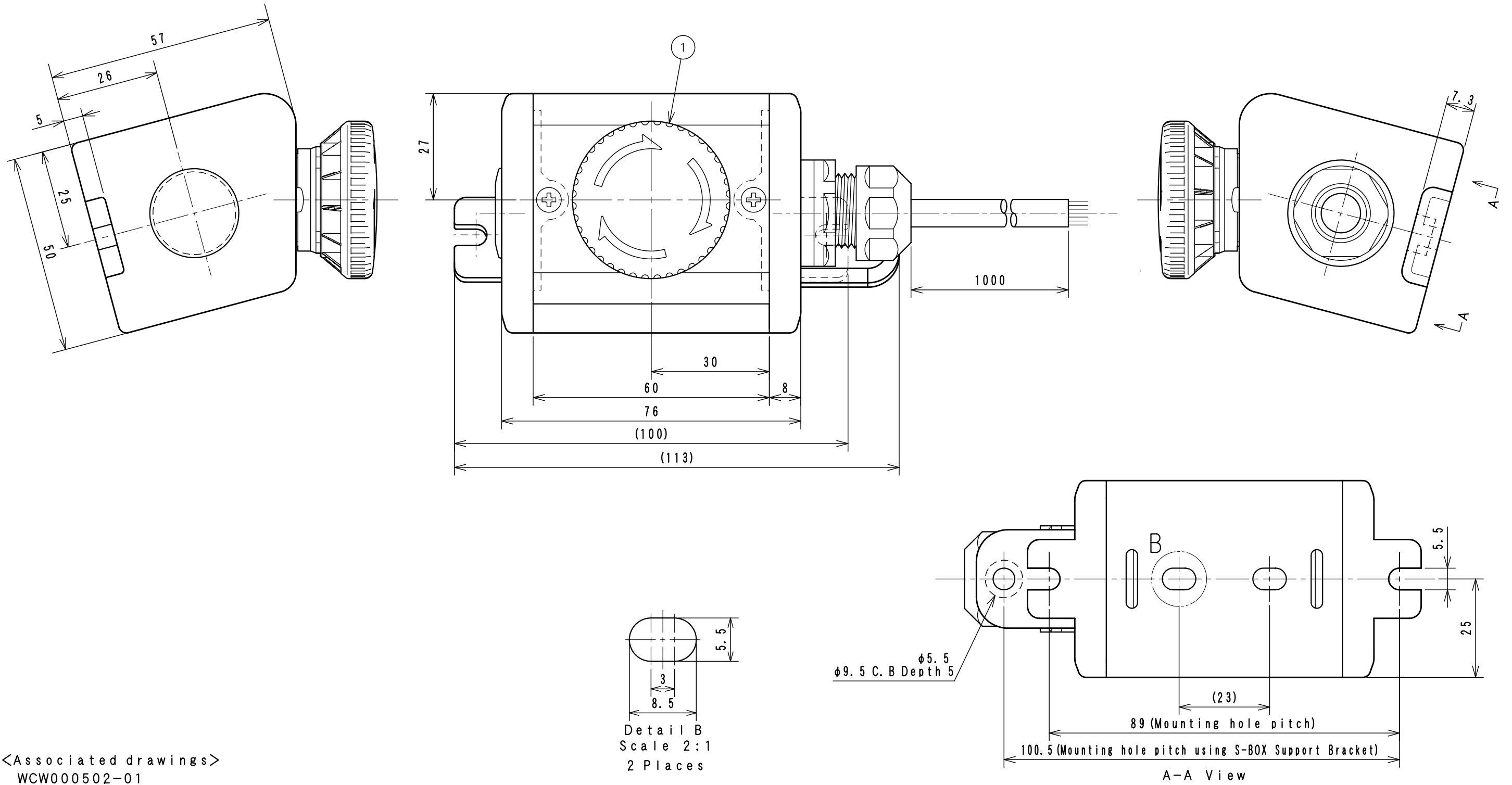


Item No.	Assembly Name
NLC-124	S-5057D Switch 1/1m 1P+SB

※Attached: S-BOX Support Bracket <D4R-001B>

1	C1S-760R	Emergency Stop Switch AR16V1R-02R
---	----------	-----------------------------------



<Associated drawings>
WCW000502-01

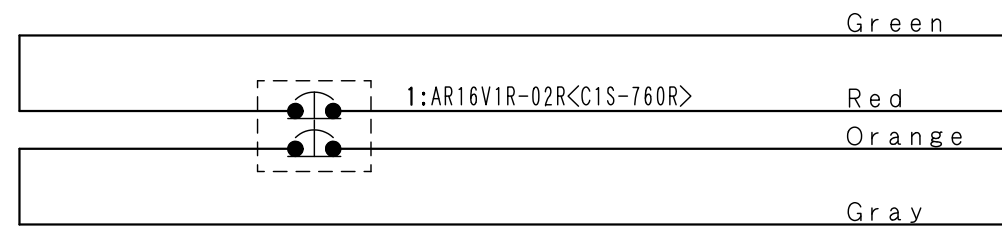
Detail B
Scale 2:1
2 Places

φ9.5 C. B Depth 5

A-A View

Applicable Item No.	NLC-114
	NLC-124

No.	Switch Model No.	Item No.
1	AR16V1R-02R	C1S-760R



Cable processing detail

