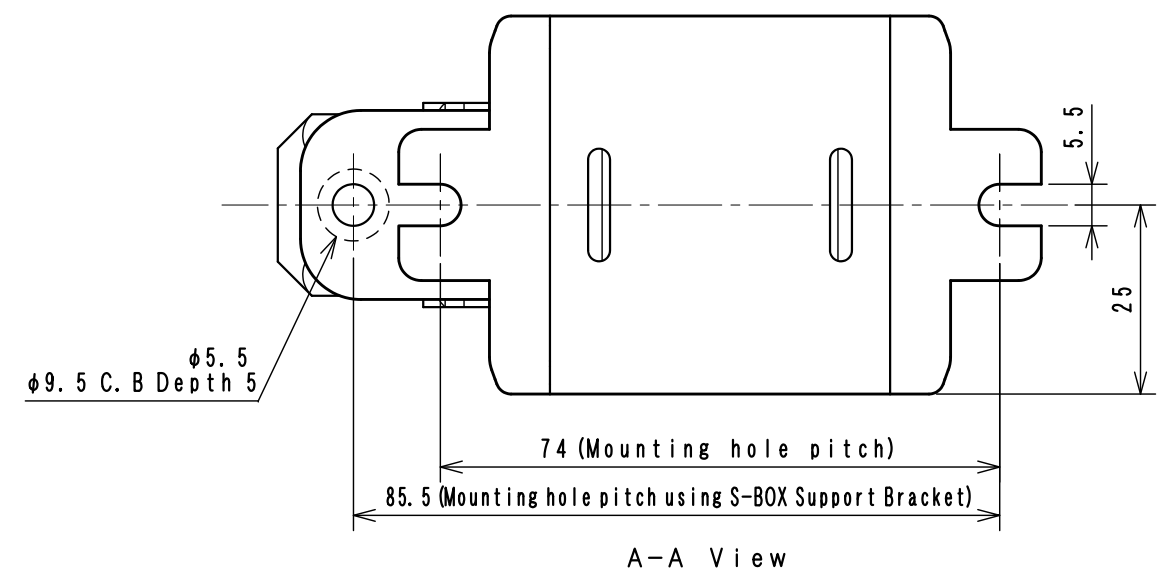
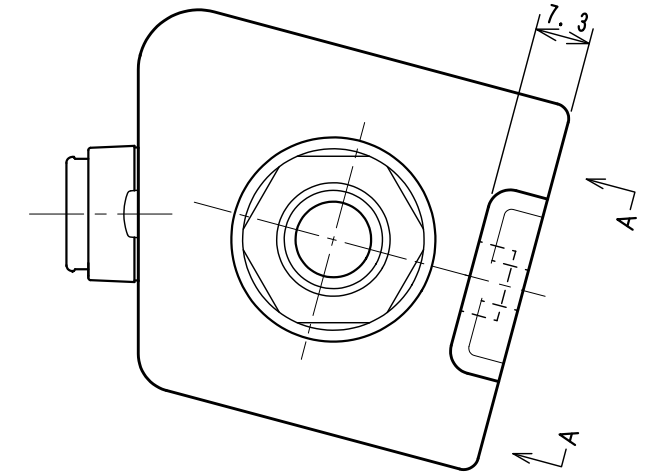
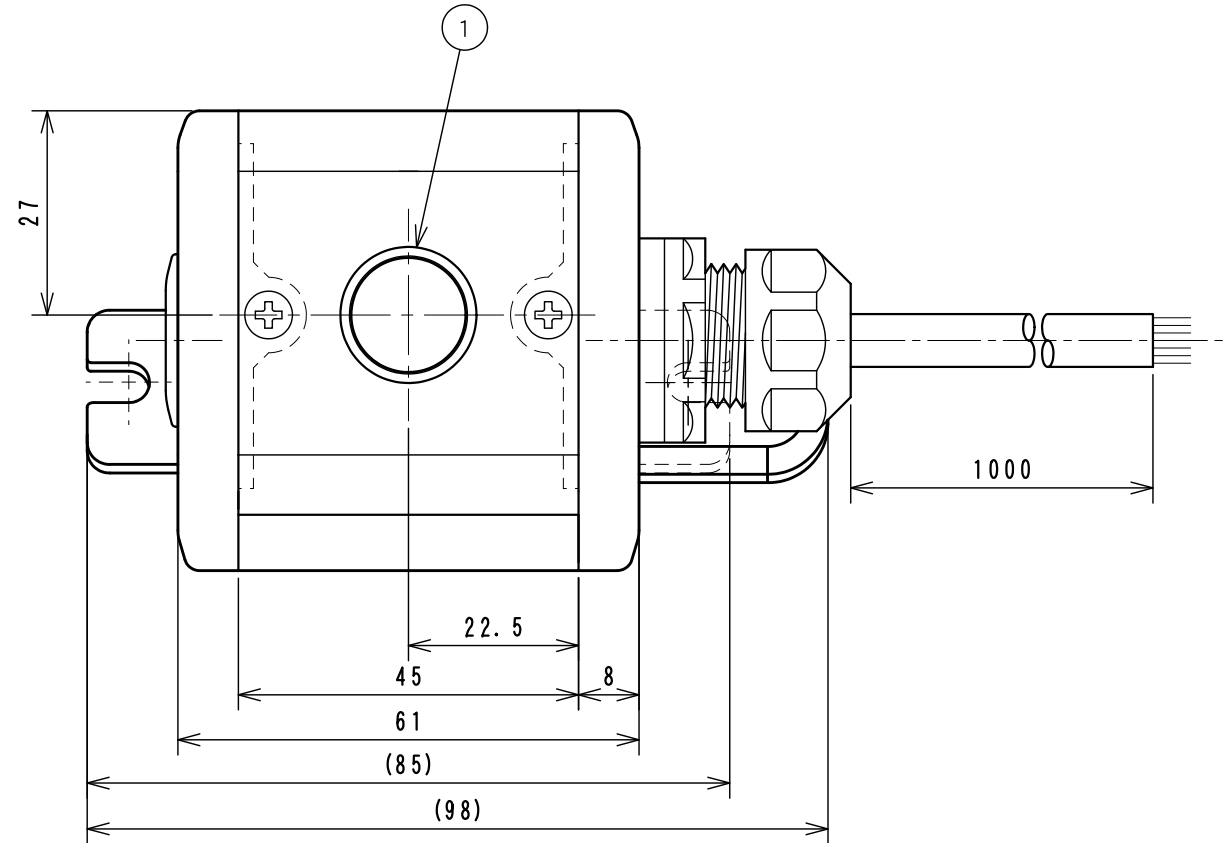
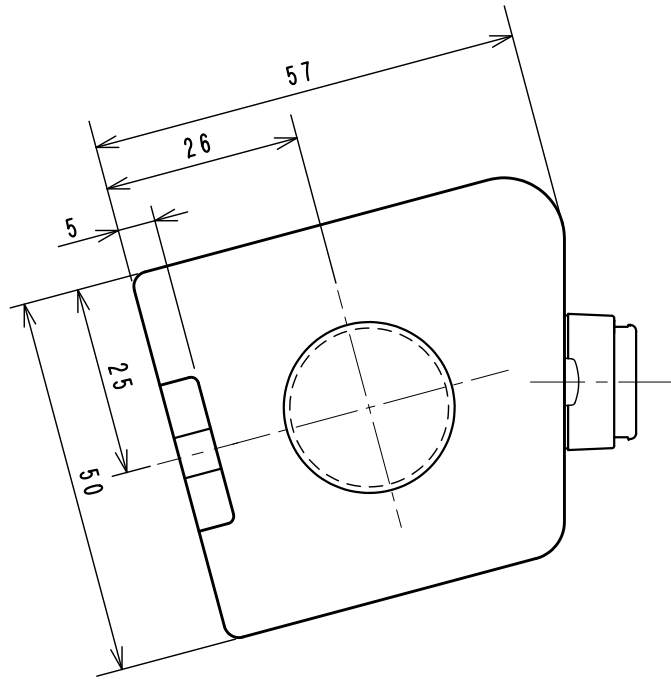


| | |
|----------|---------------------------------|
| Item No. | Assembly Name |
| NLC-128 | S-5057D Switch 1R (G) /1m 1P+SB |

※Attached: S-BOX Support Bracket <D4R-001B>

| | | |
|---|----------|-------------------------------|
| 1 | C1S-764G | Pushbutton Switch AR16E0R-C1G |
|---|----------|-------------------------------|



<Associated drawings>
WCW000506-01

| | |
|---------------------|---------|
| Applicable Item No. | NLC-118 |
| | NLC-128 |

| No. | Switch Model No. | Item No. |
|-----|------------------|----------|
| 1 | AR16E0R-C1G | C1S-764G |



Cable processing detail

