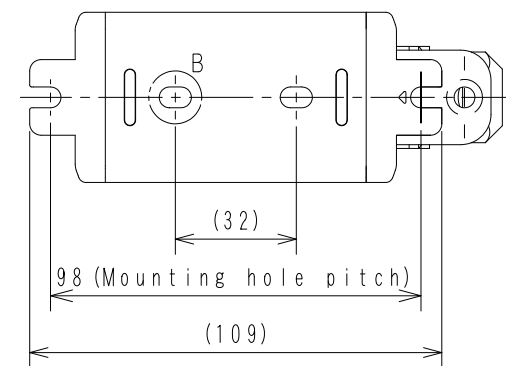
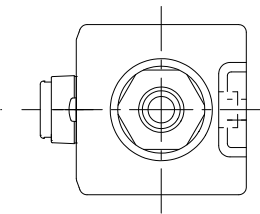
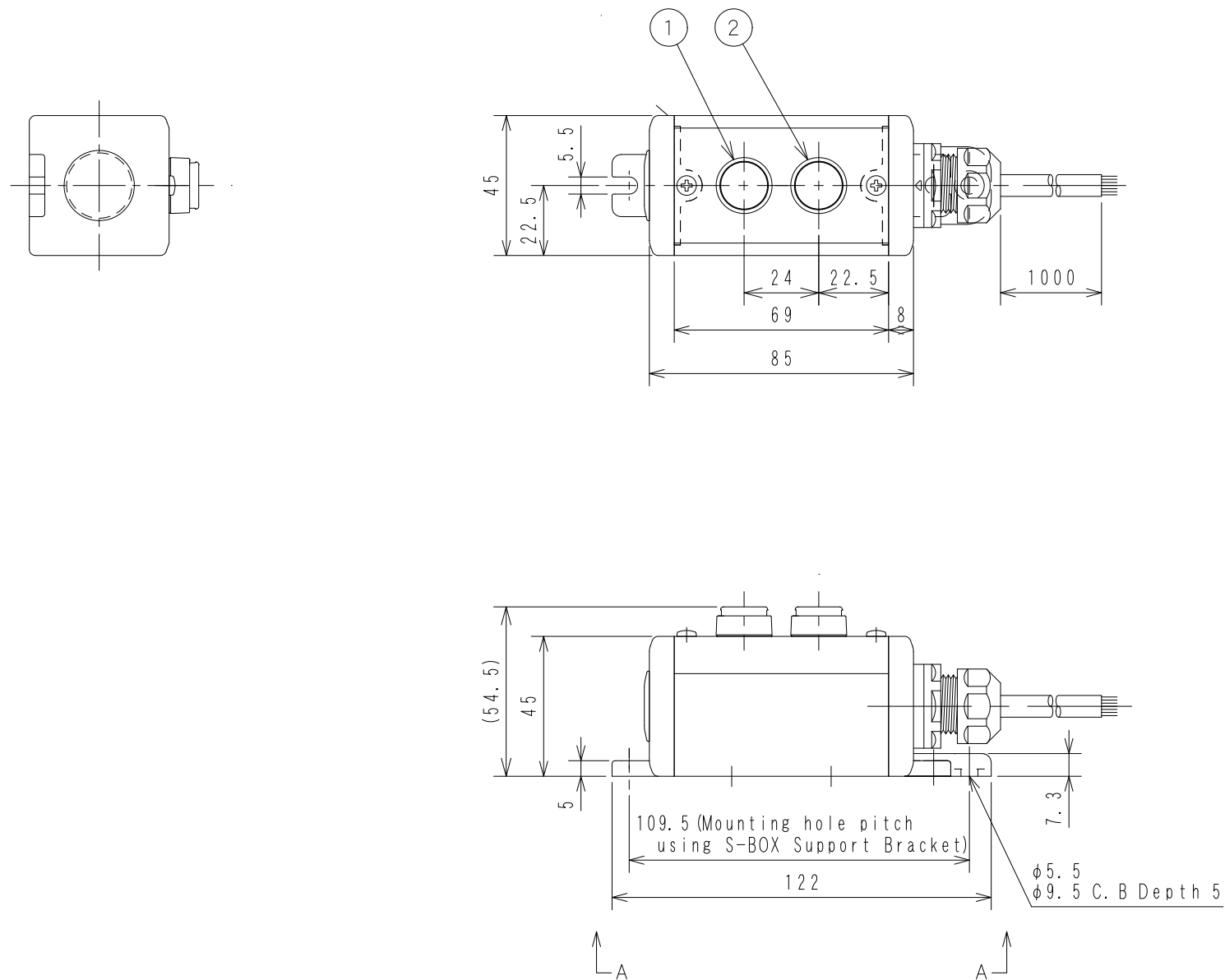


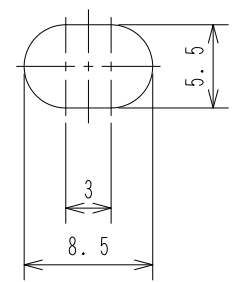
Item No.
NLC-216

1	C1S-764G	Pushbutton Switch AR16E0R-C1G
2	C1S-764R	Pushbutton Switch AR16E0R-C1R

※Attached:S-BOX Support Bracket <D4R-001B>



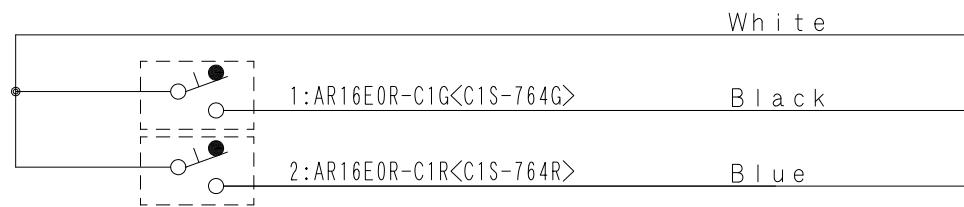
A-A View
Scale 1:2



Detail B
Scale 2:1
2 Places

Applicable Item No.	NLC-216
---------------------	---------

No.	Switch Model No.	Item No.
1	AR16E0R-C1G	C1S-764G
2	AR16E0R-C1R	C1S-764R



Cable processing detail

