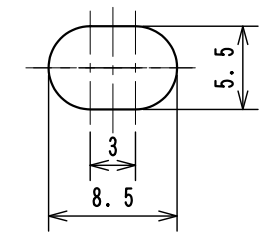
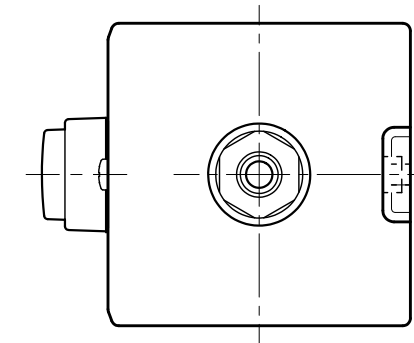
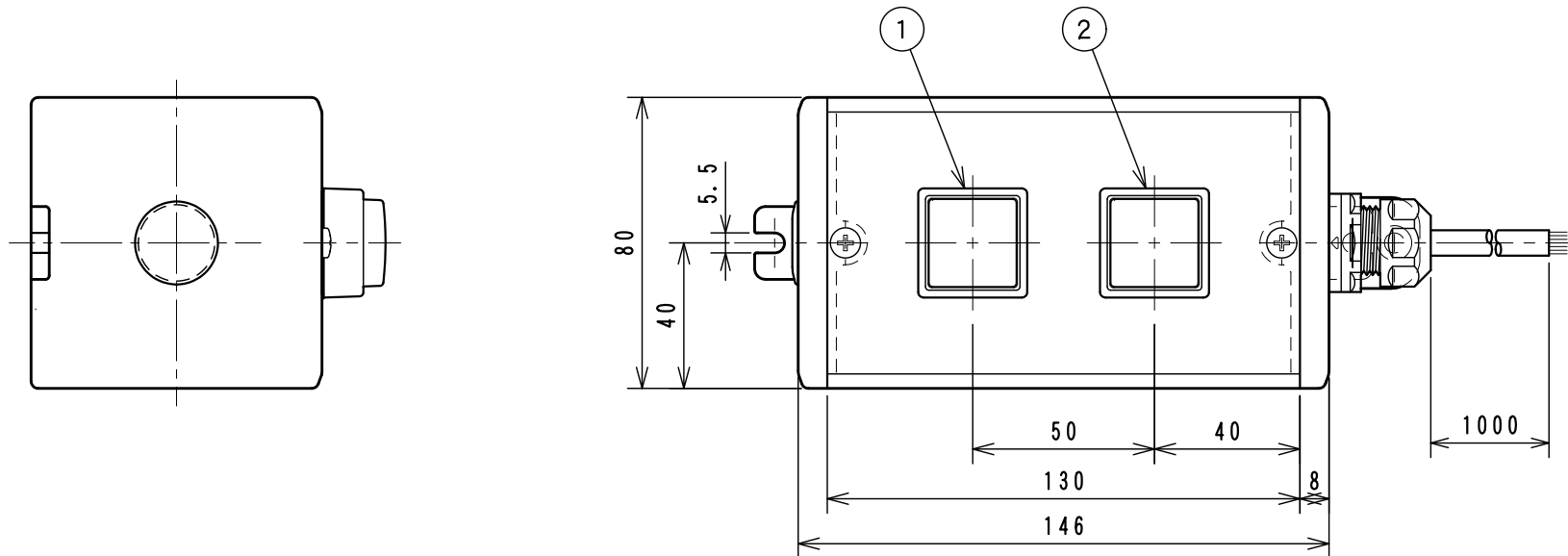


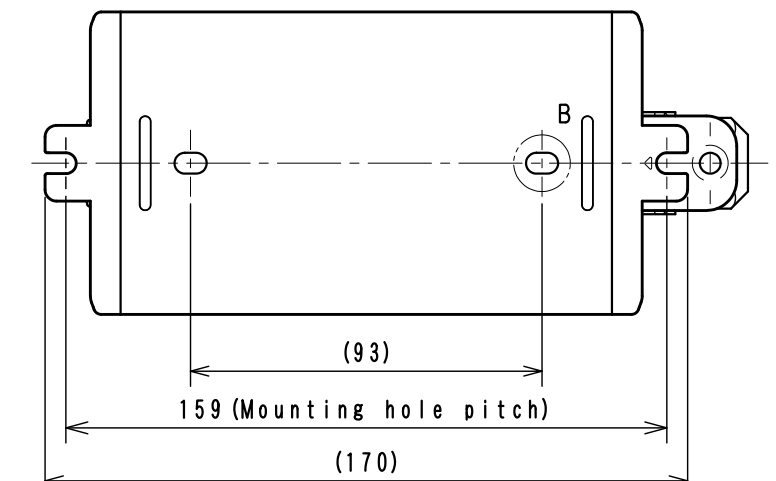
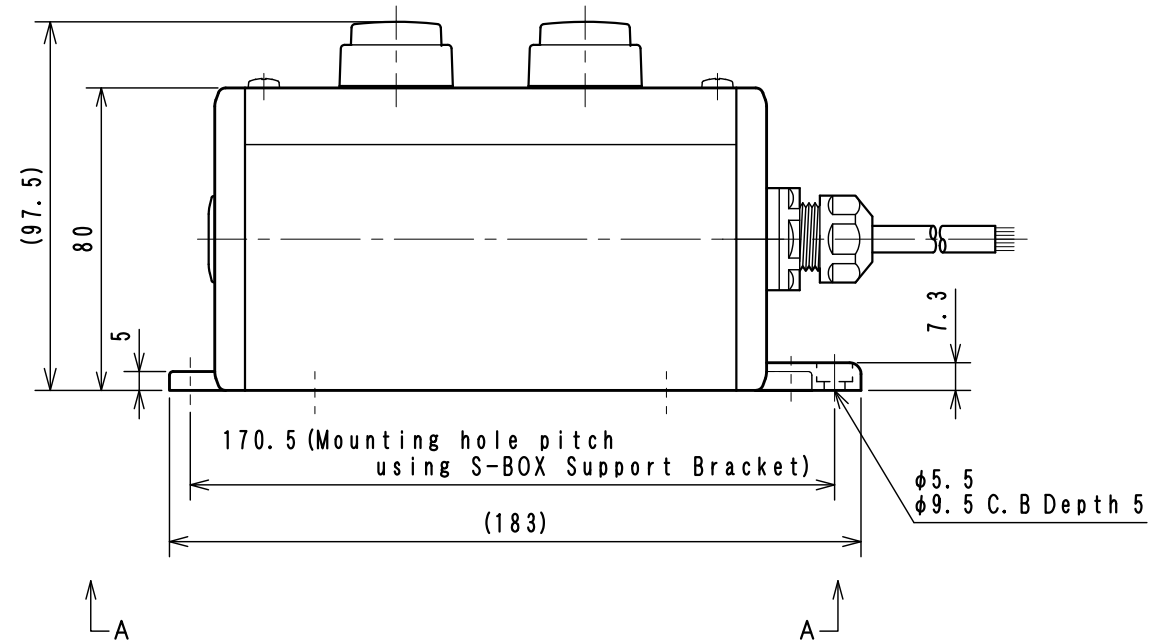
Item No.	Assembly Name
NLC-21A	S-8080D Switch 2S (GR) /1m 1P+SB

※Attached: S-BOX Support Bracket <D4R-001B>

1	C1S-247G	Pushbutton Switch AR22E0S-11G
2	C1S-247R	Pushbutton Switch AR22E0S-11R



Detail B
Scale 2:1

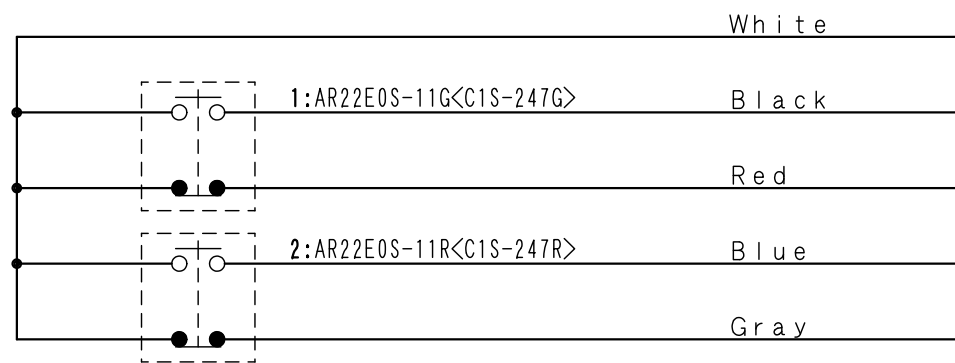


A-A View
Scale 1:2

<Associated drawings>
WCW000549-00

Applicable Item No.	NLC-20A
	NLC-21A
	NLC-22A

No.	Switch Model No.	Item No.
1	AR22E0S-11G	C1S-247G
2	AR22E0S-11R	C1S-247R



Cable processing detail

