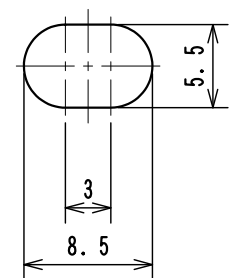
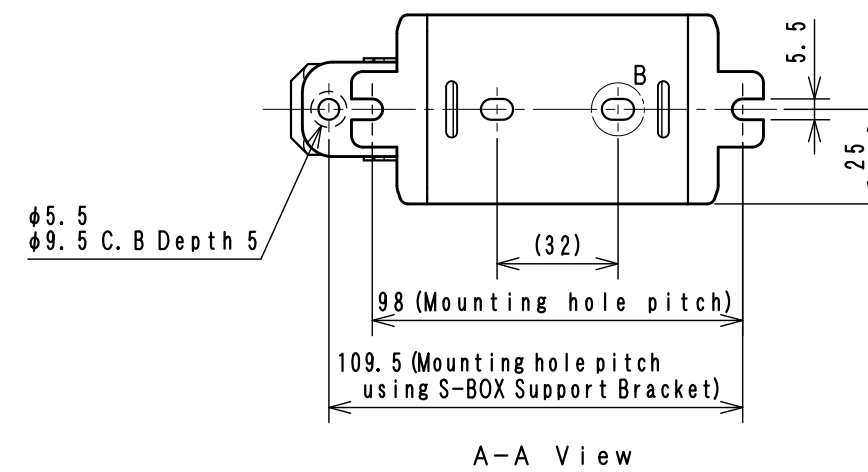
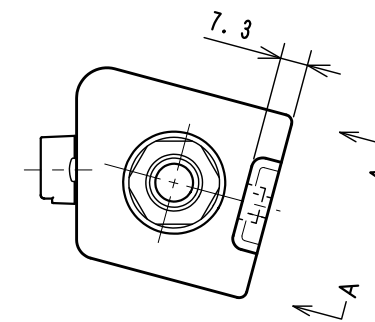
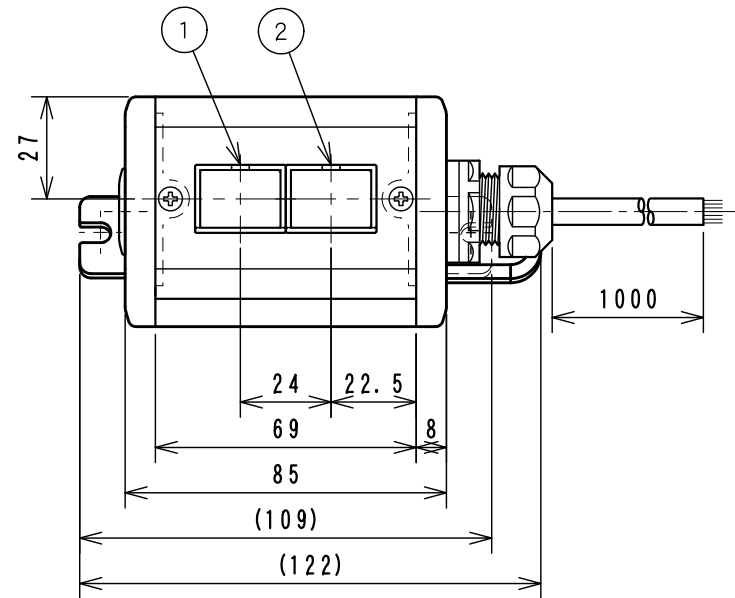
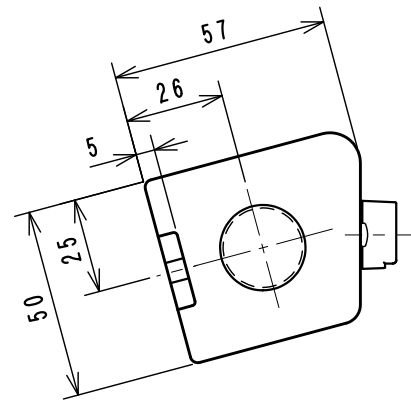


Item No.	Assembly Name
NLC-224	S-5057D Switch 2S (GR) 1m/1P+SB

※Attached: S-BOX Support Bracket <D4R-001B>

1	C1S-763G	Pushbutton Switch AR16G0T-C1G
2	C1S-763R	Pushbutton Switch AR16G0T-C1R

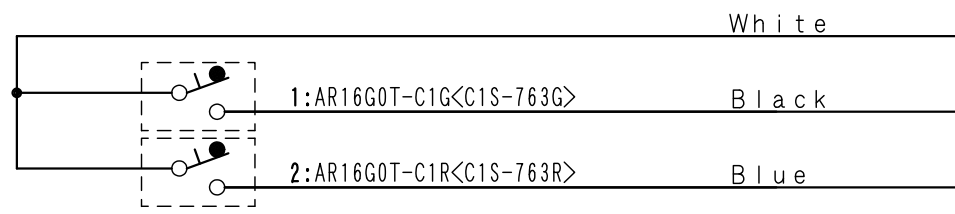


Detail B
Scale 2:1
2 Places

<Associated drawings>
WCW000511-01

Applicable Item No.	NLC-214
	NLC-224

No.	Switch Model No.	Item No.
1	AR16G0T-C1G	C1S-763G
2	AR16G0T-C1R	C1S-763R



Cable processing detail

