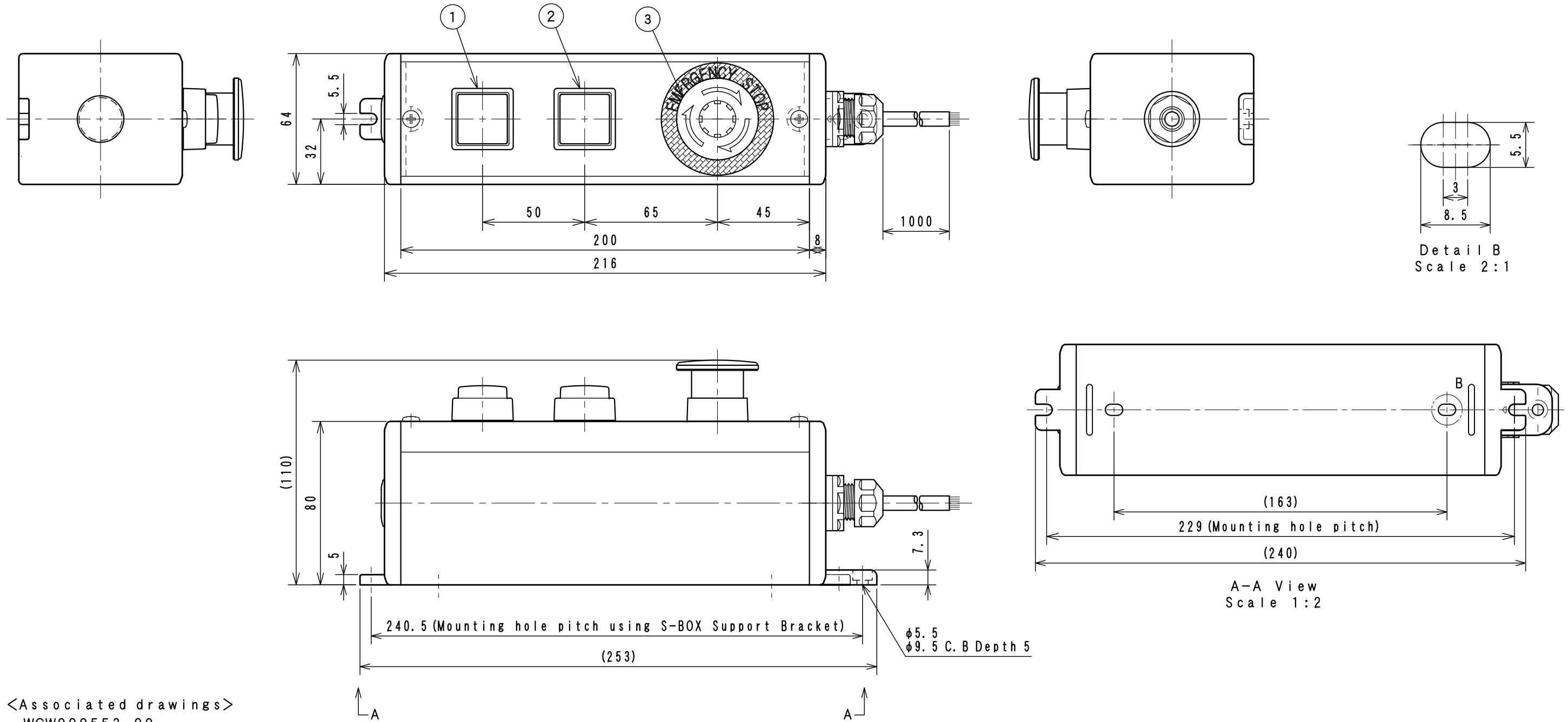


| | |
|----------|--------------------------------|
| Item No. | Assembly Name |
| NLC-30A | S-6480D Switch 3 (GR) 1m/1P+SB |

※Attached: S-BOX Support Bracket <D4R-001B>

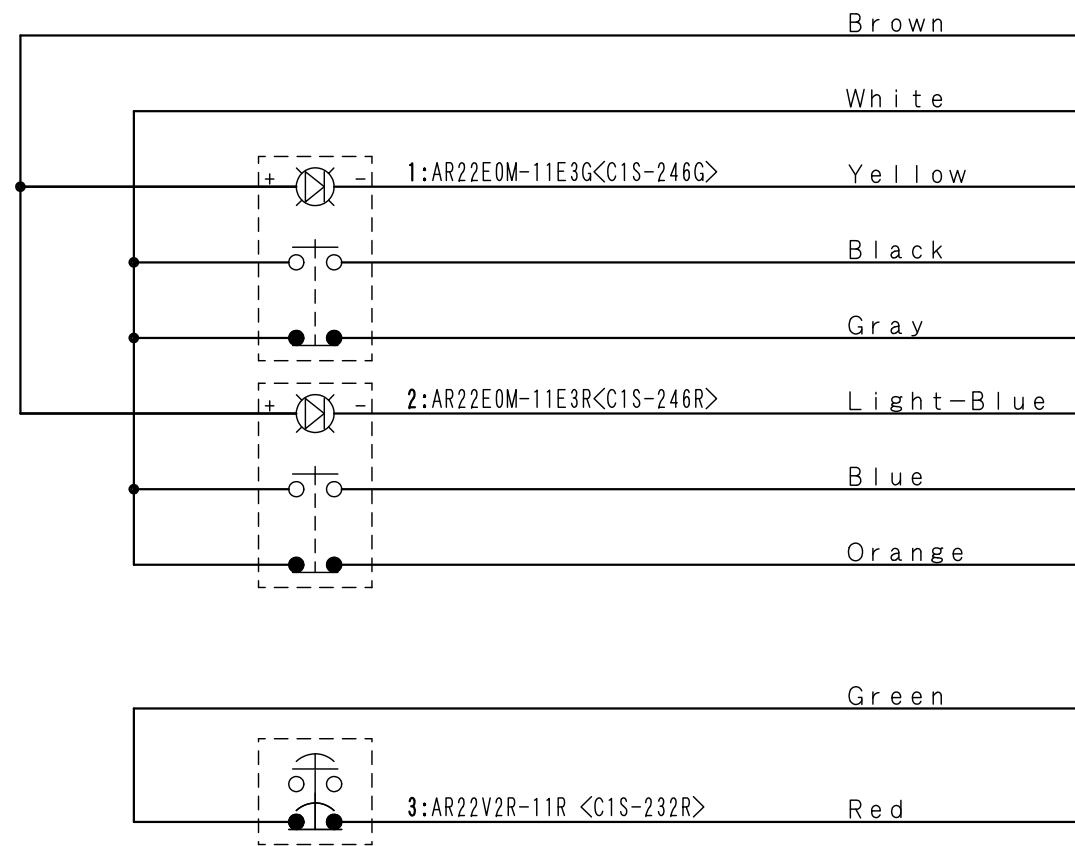
| | | |
|---|----------|---|
| 1 | C1S-246G | Pushbutton Switch (Lighted) AR22E0M-11E3G |
| 2 | C1S-246R | Pushbutton Switch (Lighted) AR22E0M-11E3R |
| 3 | C1S-232R | Emergency Stop Switch AR22V2R-11R |



<Associated drawings>
WCW000553-00

| | |
|---------------------|---------|
| Applicable Item No. | NLC-30A |
| | NLC-31A |
| | NLC-32A |

| No. | Switch Model No. | Item No. |
|-----|------------------|----------|
| 1 | AR22E0M-11E3G | C1S-246G |
| 2 | AR22E0M-11E3R | C1S-246R |
| 3 | AR22V2R-11R | C1S-232R |



Cable processing detail

