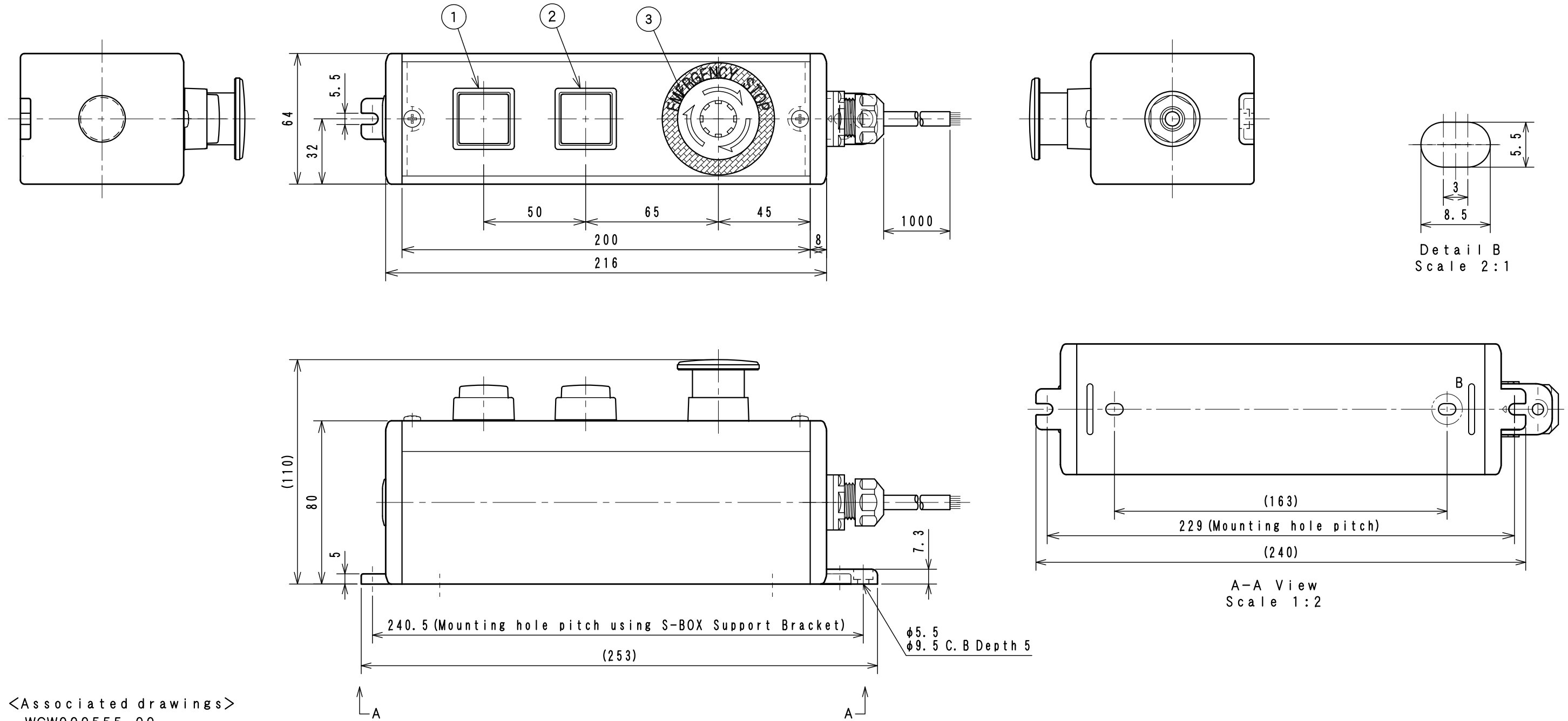


Item No.	Assembly Name
NLC-30C	S-6480D Switch 3 (GR) 1m/1P+SB

※Attached:S-BOX Support Bracket <D4R-001B>

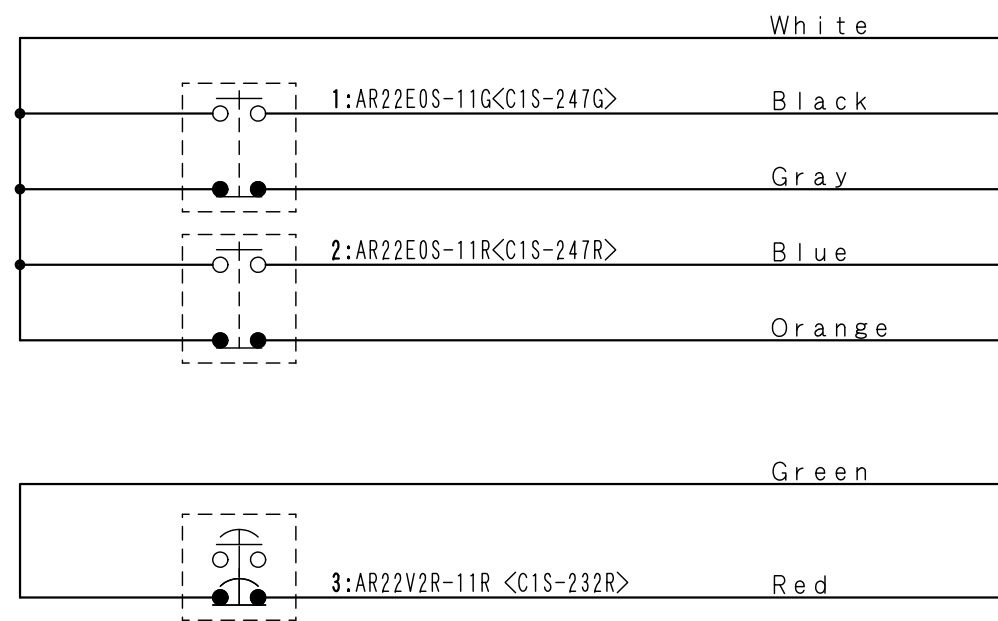
1	C1S-247G	Pushbutton Switch AR22E0S-11G
2	C1S-247R	Pushbutton Switch AR22E0S-11R
3	C1S-232R	Emergency Stop Switch AR22V2R-11R



<Associated drawings>
WCW000555-00

Applicable Item No.	NLC-30C
	NLC-31C
	NLC-32C

No.	Switch Model No.	Item No.
1	AR22E0S-11G	C1S-247G
2	AR22E0S-11R	C1S-247R
3	AR22V2R-11R	C1S-232R



Cable processing detail

