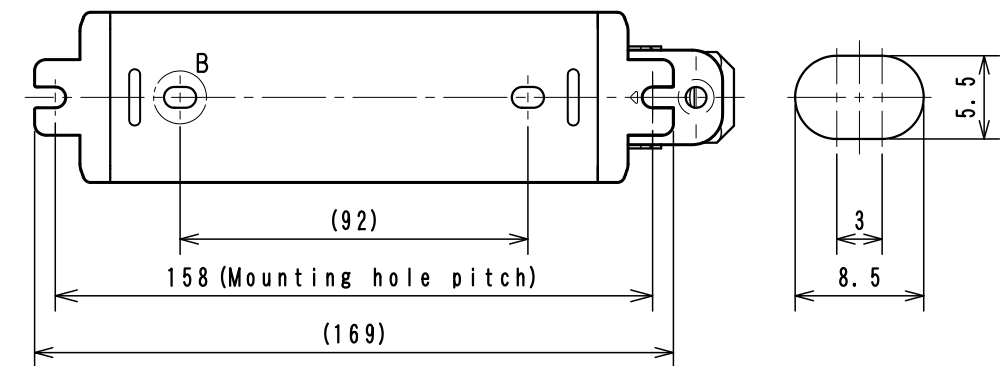
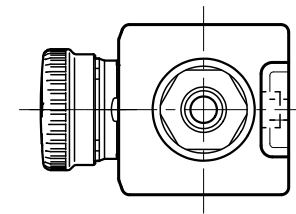
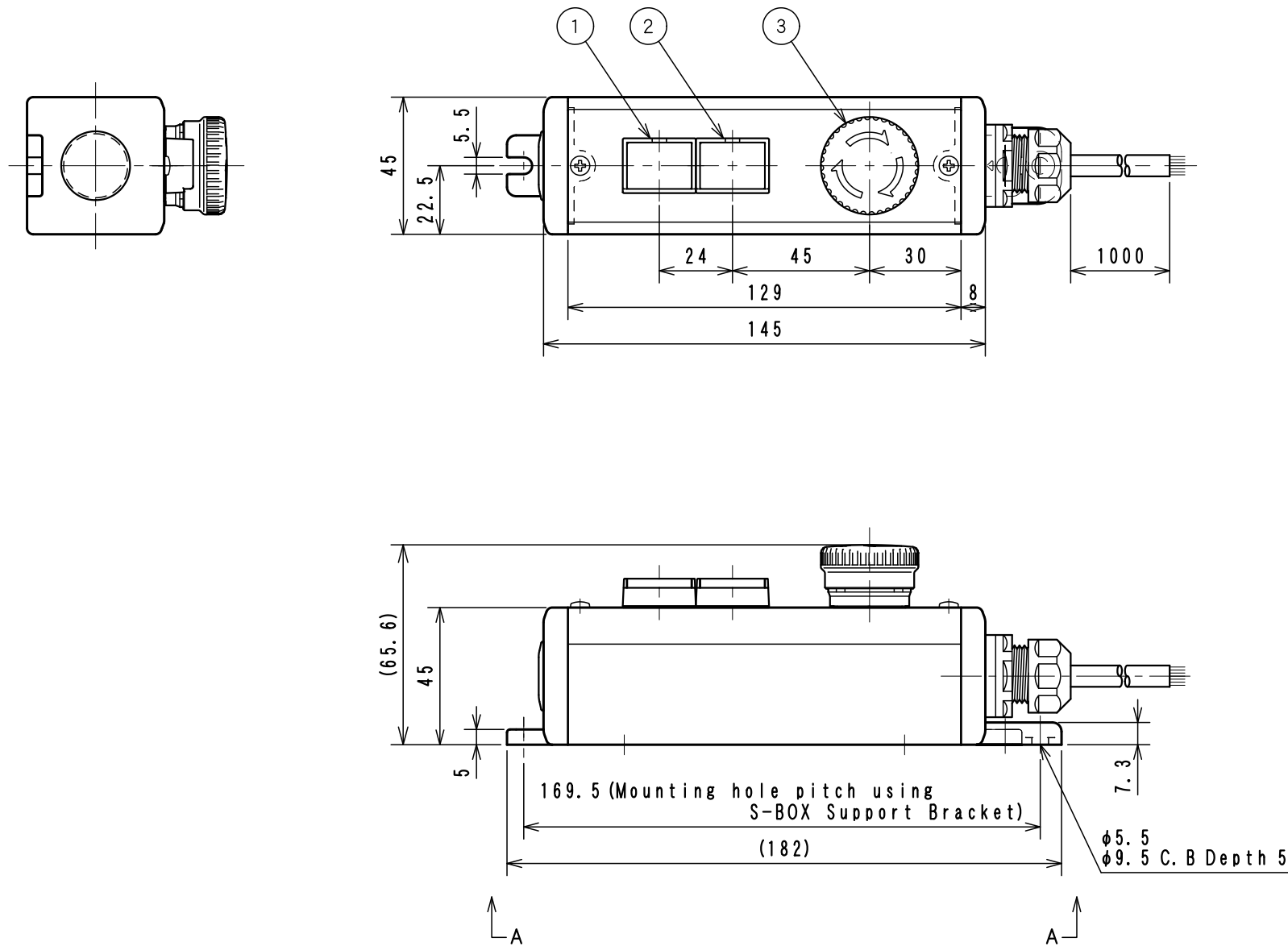


Item No.	Assembly Name
NLC-314	S-4545D Switch3 (GR) 1m/1P+SB

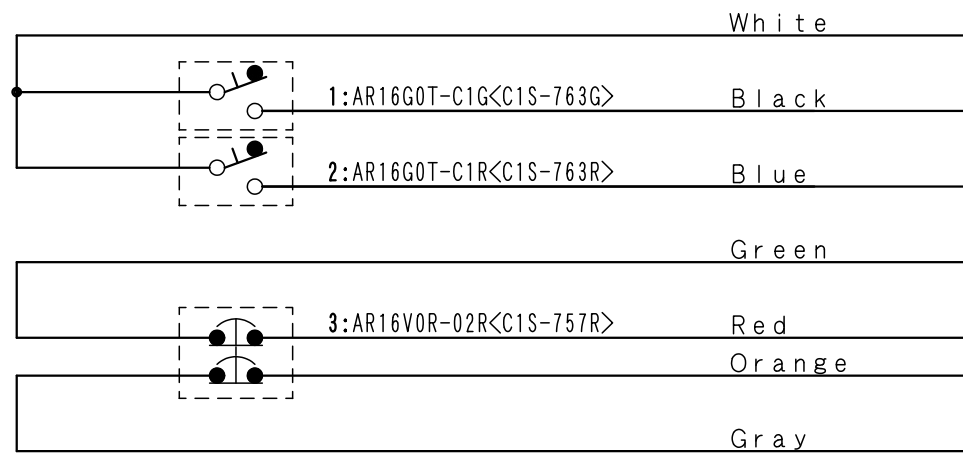
1	C1S-763G	Pushbutton Switch AR16G0T-C1G
2	C1S-763R	Pushbutton Switch AR16G0T-C1R
3	C1S-758R	Emergency Stop Switch AR16V0R-02R



<Associated drawings>
WCW000517-00

Applicable Item No.	NLC-314
---------------------	---------

No.	Switch Model No.	Item No.
1	AR16G0T-C1G	C1S-763G
2	AR16G0T-C1R	C1S-763R
3	AR16V0R-02R	C1S-758R



Cable processing detail

