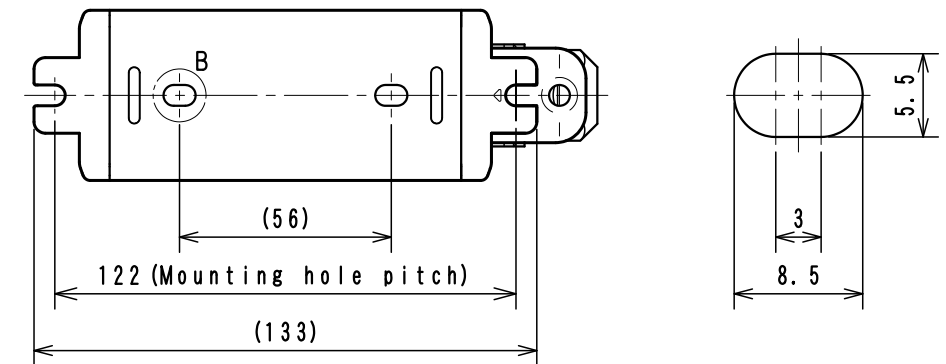
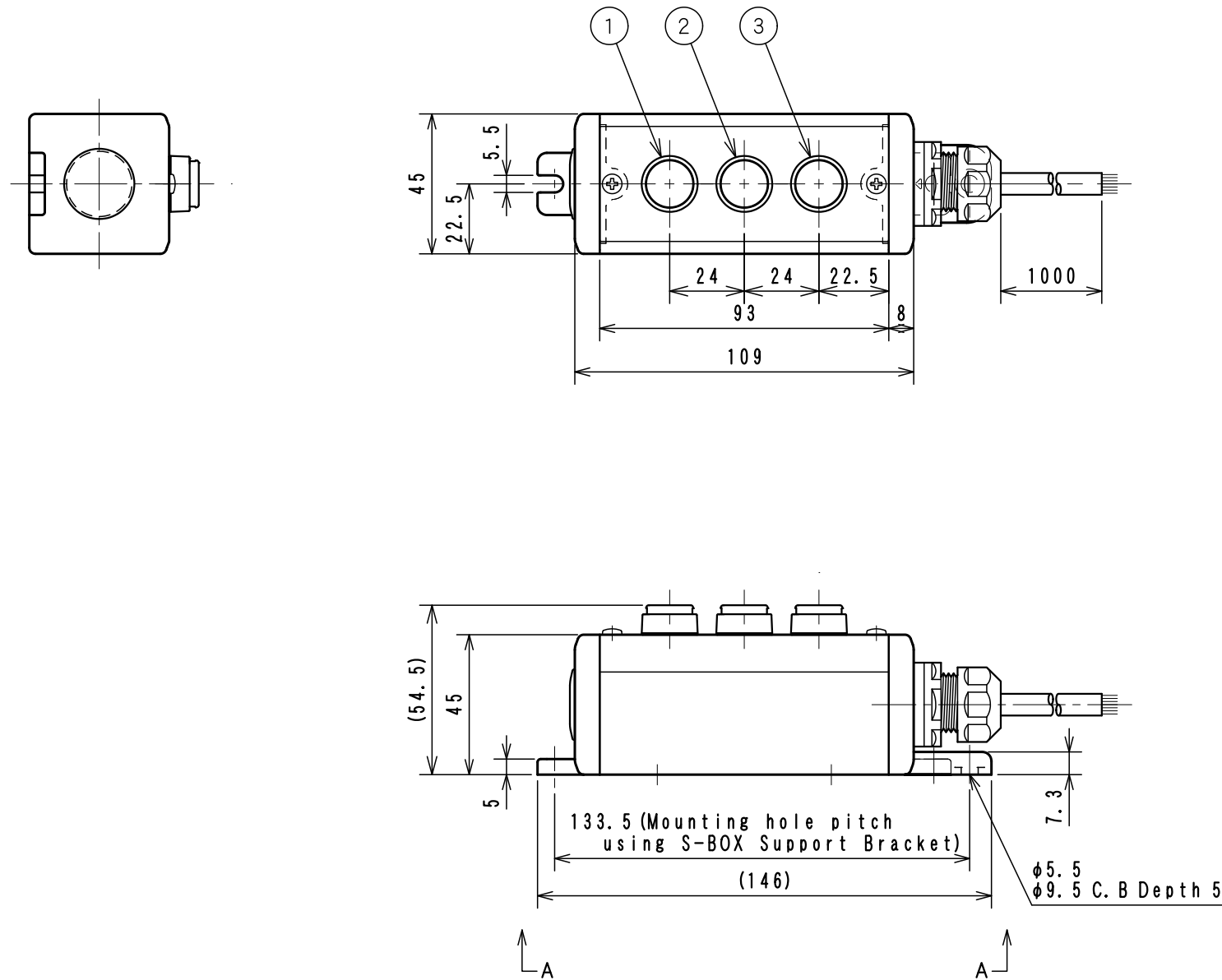


Item No.	Assembly Name
NLC-318	S-4545D Switch3R (GRY) 1m/1P+SB

1	C1S-764G	Pushbutton Switch AR16E0R-C1G
2	C1S-764R	Pushbutton Switch AR16E0R-C1R
3	C1S-764Y	Pushbutton Switch AR16E0R-C1Y



Applicable Item No.	NLC-318
---------------------	---------

No.	Switch Model No.	Item No.
1	AR16E0R-C1G	C1S-764G
2	AR16E0R-C1R	C1S-764R
3	AR16E0R-C1Y	C1S-764Y

Cable processing detail

