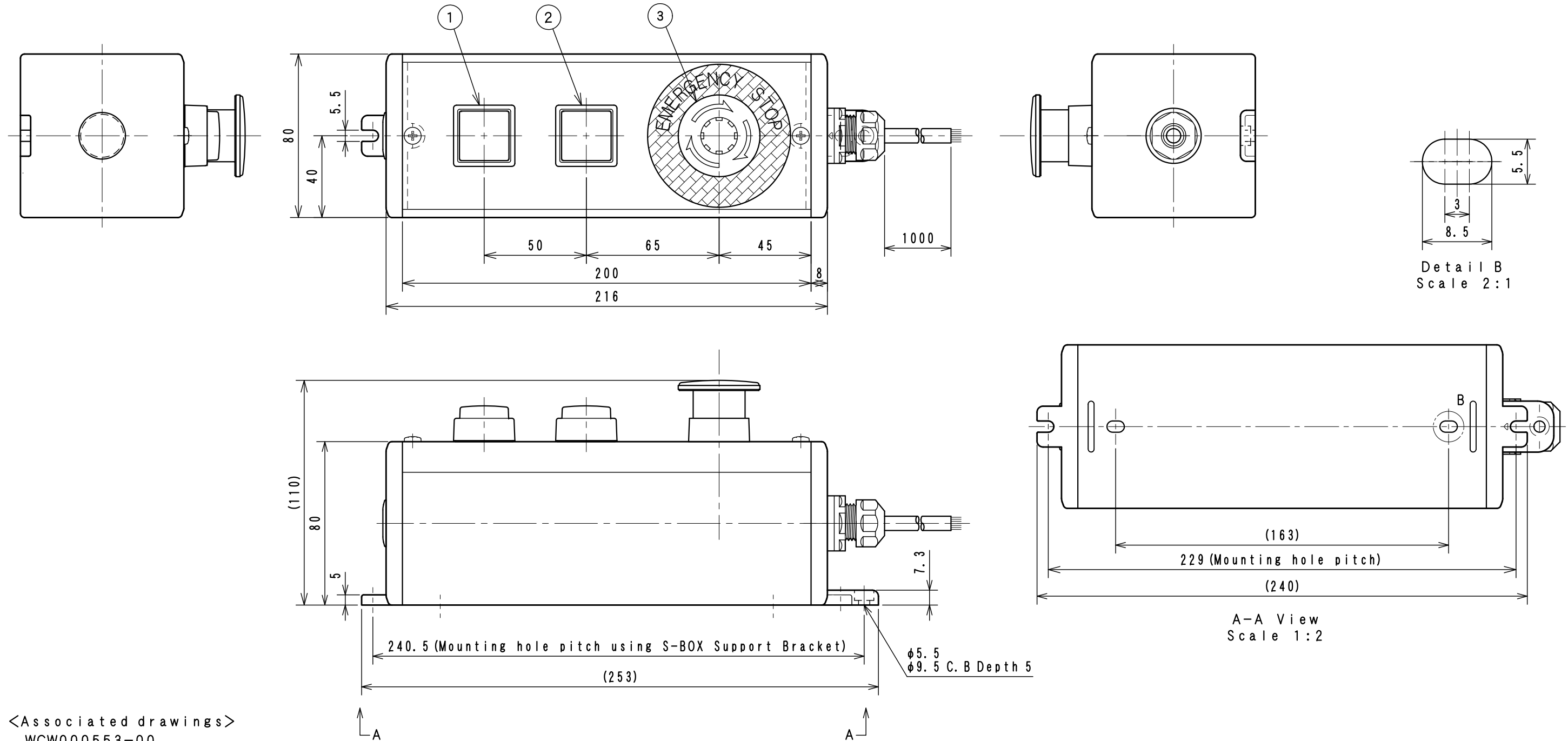


Item No.	Assembly Name
NLC-31A	S-8080D Switch 3 (GR)/1m 1P+SB

※Attached: S-BOX Support Bracket <D4R-001B>

1	C1S-246G	Pushbutton Switch (Lighted) AR22E0M-11E3G
2	C1S-246R	Pushbutton Switch (Lighted) AR22E0M-11E3R
3	C1S-232R	Emergency Stop Switch AR22V2R-11R



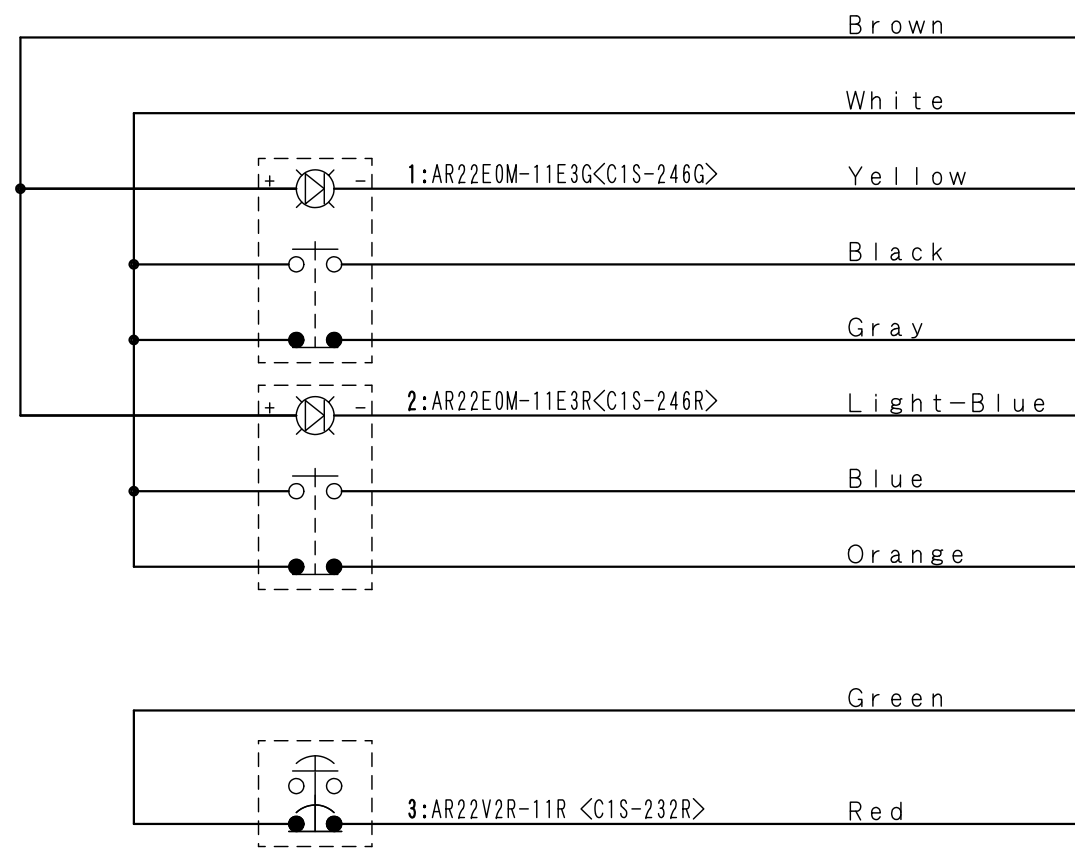
<Associated drawings>
WCW000553-00

A-A View
Scale 1:2

Detail B
Scale 2:1

Applicable Item No.	NLC-30A
	NLC-31A
	NLC-32A

No.	Switch Model No.	Item No.
1	AR22E0M-11E3G	C1S-246G
2	AR22E0M-11E3R	C1S-246R
3	AR22V2R-11R	C1S-232R



Cable processing detail

