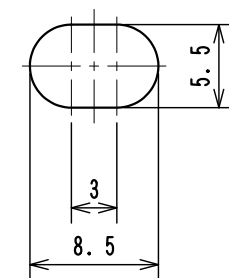
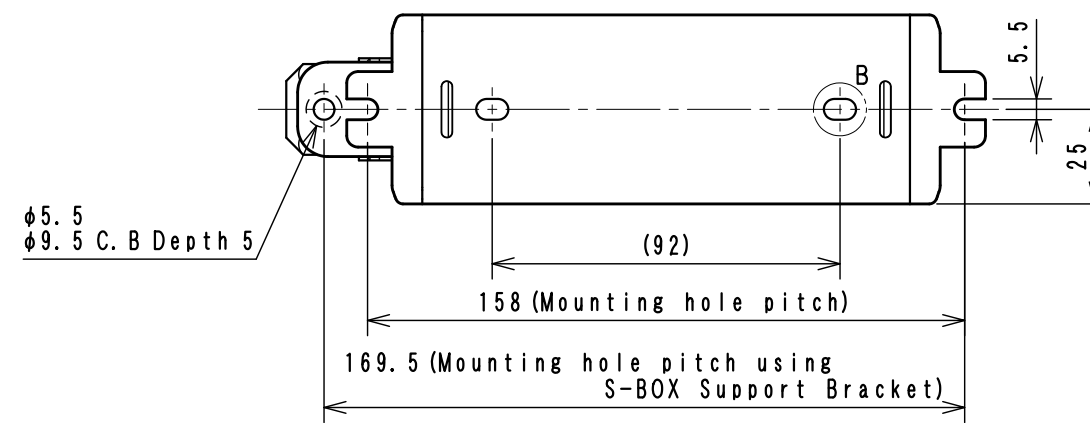
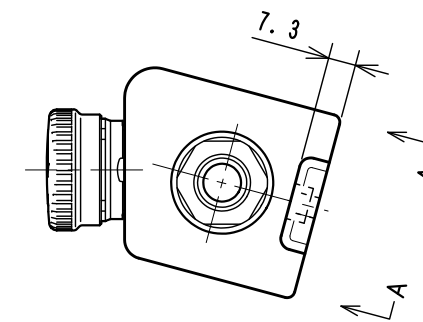
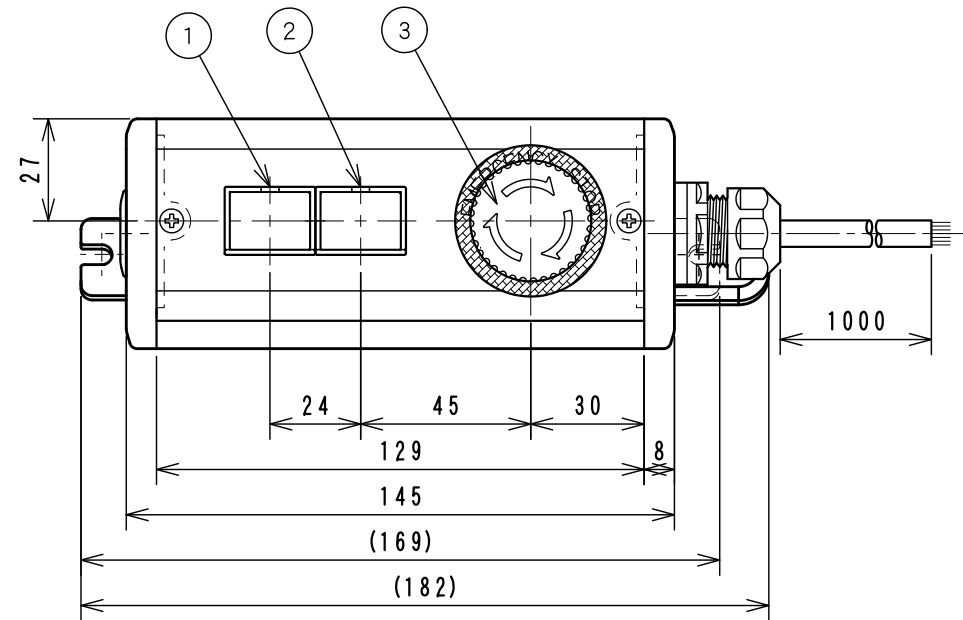
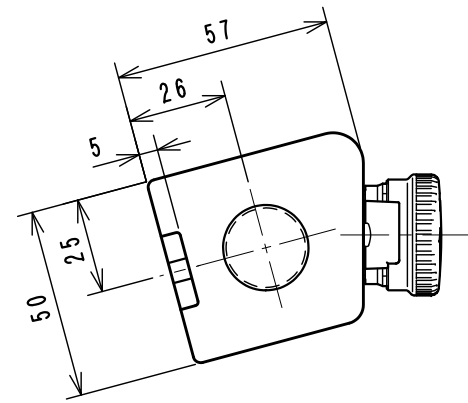


Item No.	Assembly Name
NLC-322	S-5057D Switch 3 (GR) 1m/1P+SB

※Attached:S-BOX Support Bracket <D4R-001B>

1	C1S-761G	Pushbutton Switch(Lighted) AR16G0N-C1E3G
2	C1S-761R	Pushbutton Switch(Lighted) AR16G0N-C1E3R
3	C1S-758R	Emergency Stop Switch AR16V0R-02R



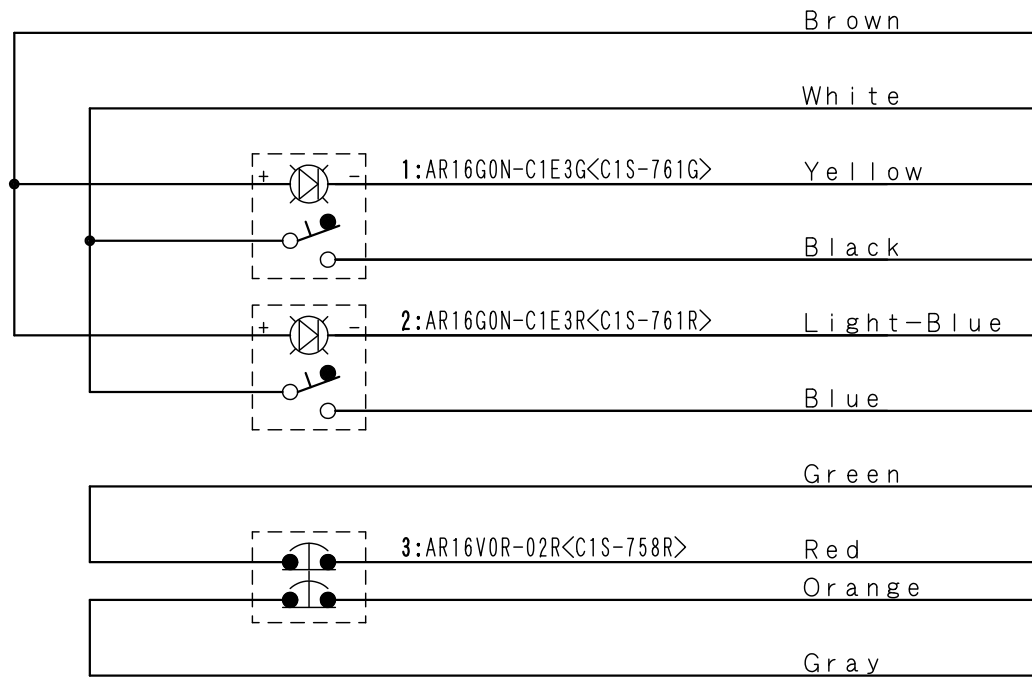
Detail B
Scale 2:1
2 Places

<Associated drawings>
WCW000515-01

A-A View

Applicable Item No.	NLC-312
	NLC-322

No.	Switch Model No.	Item No.
1	AR16G0N-C1E3G	C1S-761G
2	AR16G0N-C1E3R	C1S-761R
3	AR16V0R-02R	C1S-758R



Cable processing detail

