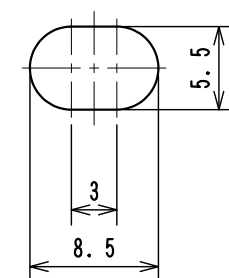
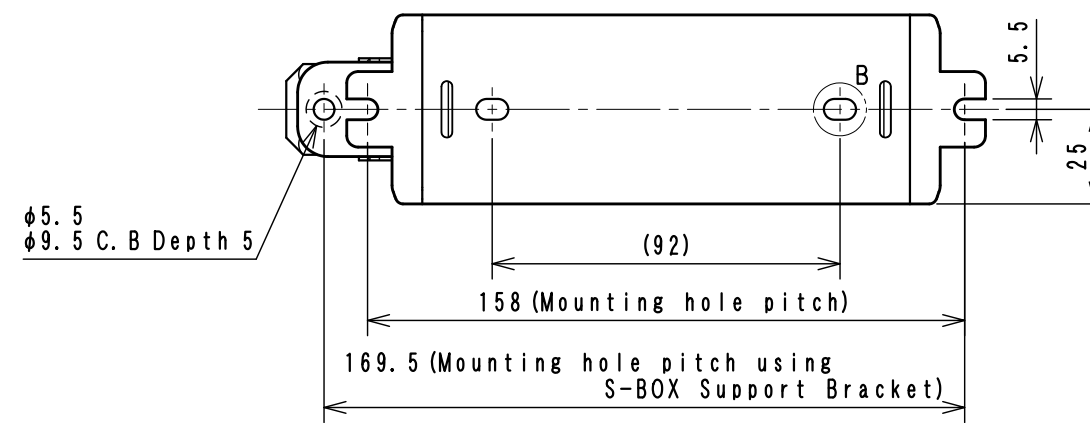
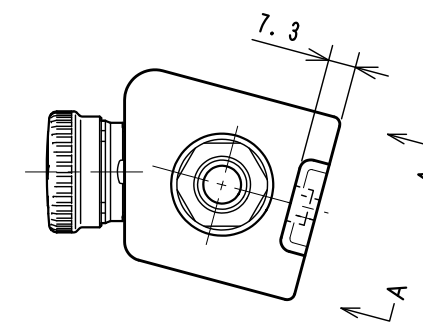
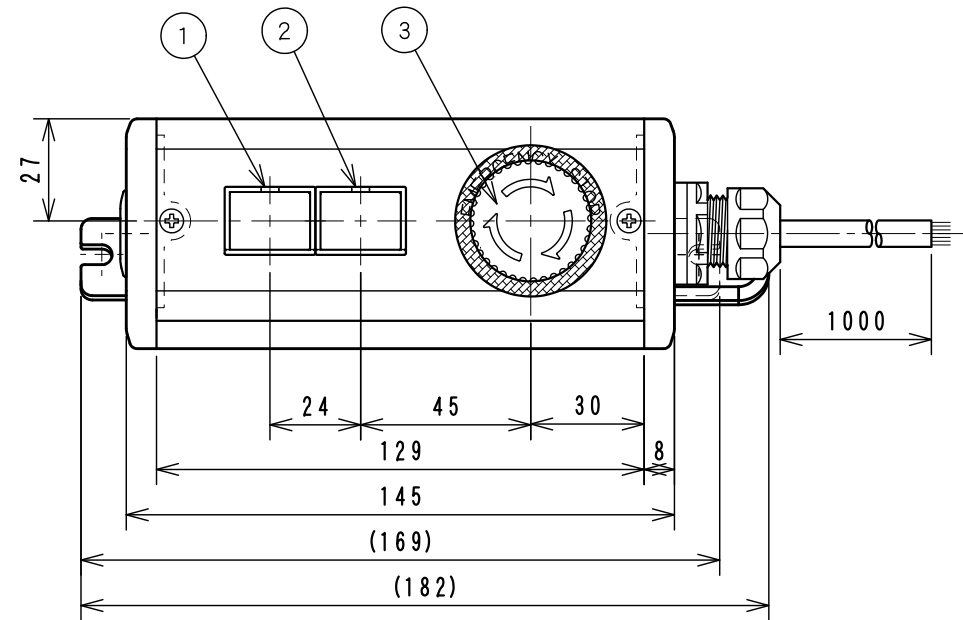
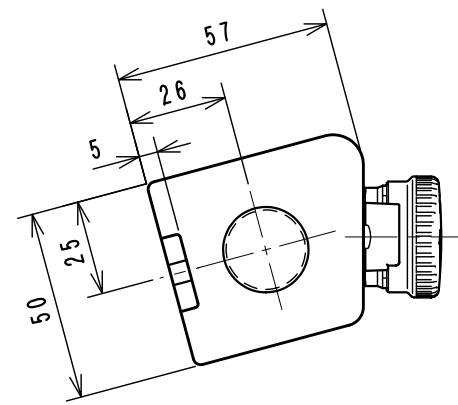


Item No.	Assembly Name
NLC-324	S-5057D Switch 3 (GR) 1m/1P+SB

※Attached: S-BOX Support Bracket <D4R-001B>

1	C1S-763G	Pushbutton Switch AR16G0T-C1G
2	C1S-763R	Pushbutton Switch AR16G0T-C1R
3	C1S-758R	Emergency Stop Switch AR16V0R-02R



Detail B  
Scale 2:1  
2 Places

A-A View

<Associated drawings>  
WCW000517-01

Applicable Item No.	NLC-314
	NLC-324

No.	Switch Model No.	Item No.
1	AR16G0T-C1G	C1S-763G
2	AR16G0T-C1R	C1S-763R
3	AR16V0R-02R	C1S-758R



Cable processing detail

