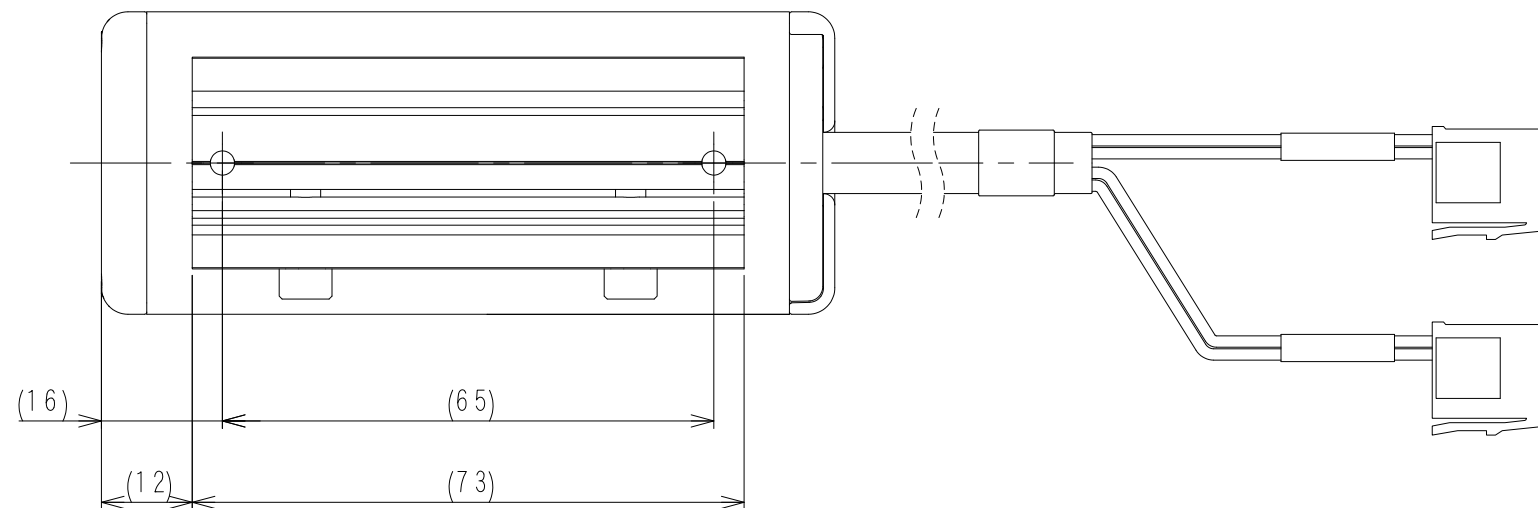
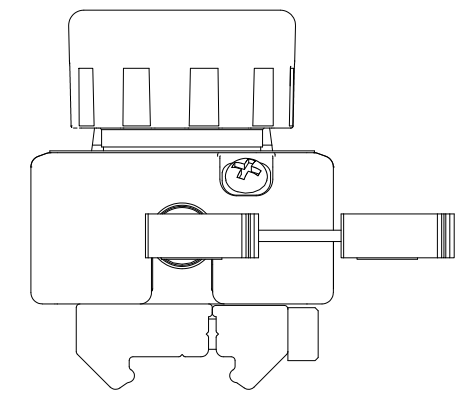
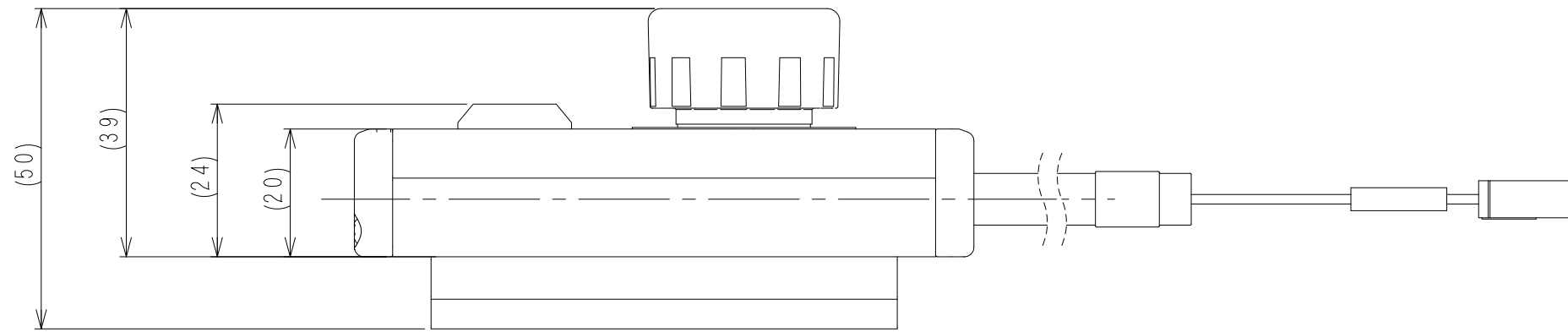
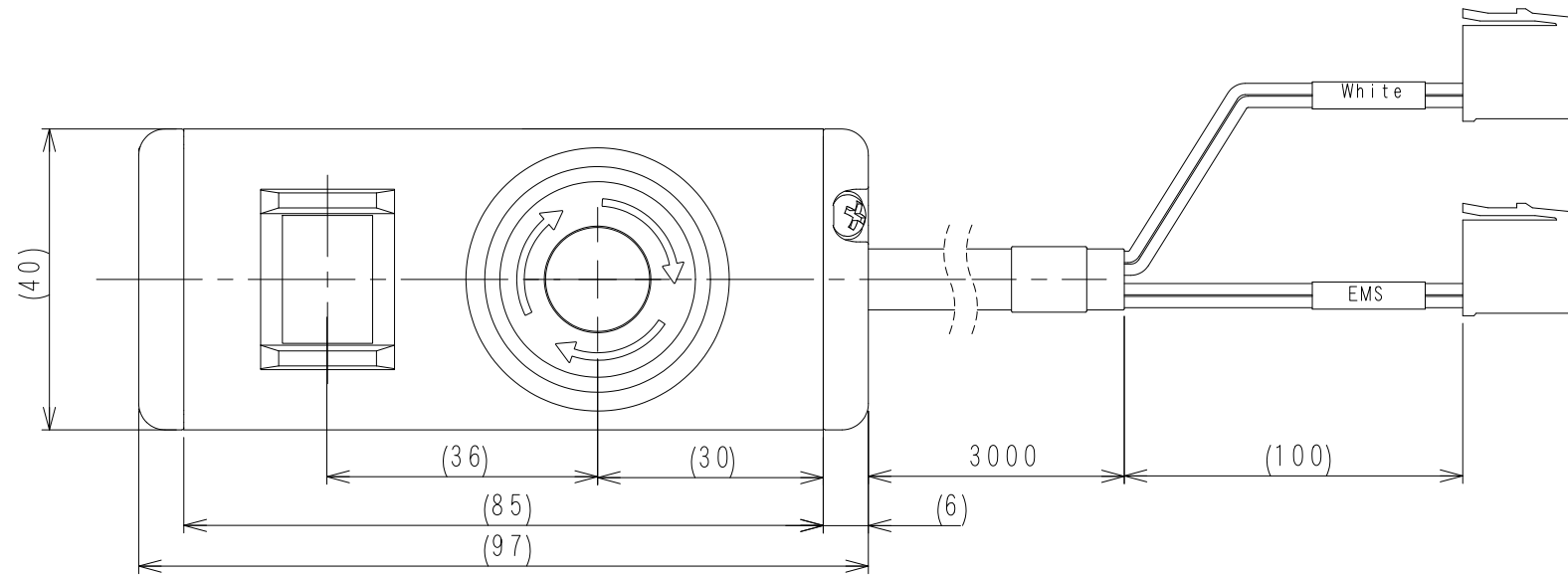


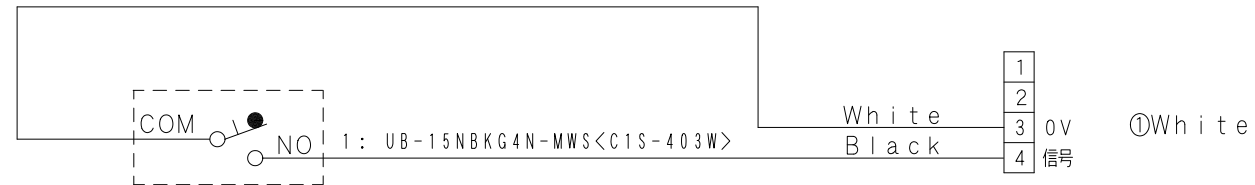
SUC-1049



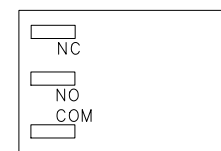
<Associated drawings>
WCW001007-**

Unit Name	S-4020E-2 (W-EMS) 3m/GF/e-CON
Item NO.	SUC-1049

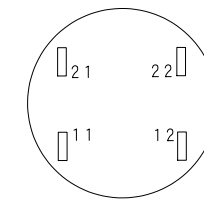
No.	Switch Model No.	Item No.
1	UB-15NBKG4N-MWS	C1S-403W
2	FF01-26BBRAYG3	C1S-401R



・Terminal Layout.
[端子配置図]



1:UB-15NBKG4N-MWS<C1S-403W>



2:FF01-26BBRAYG3<C1S-401R>

